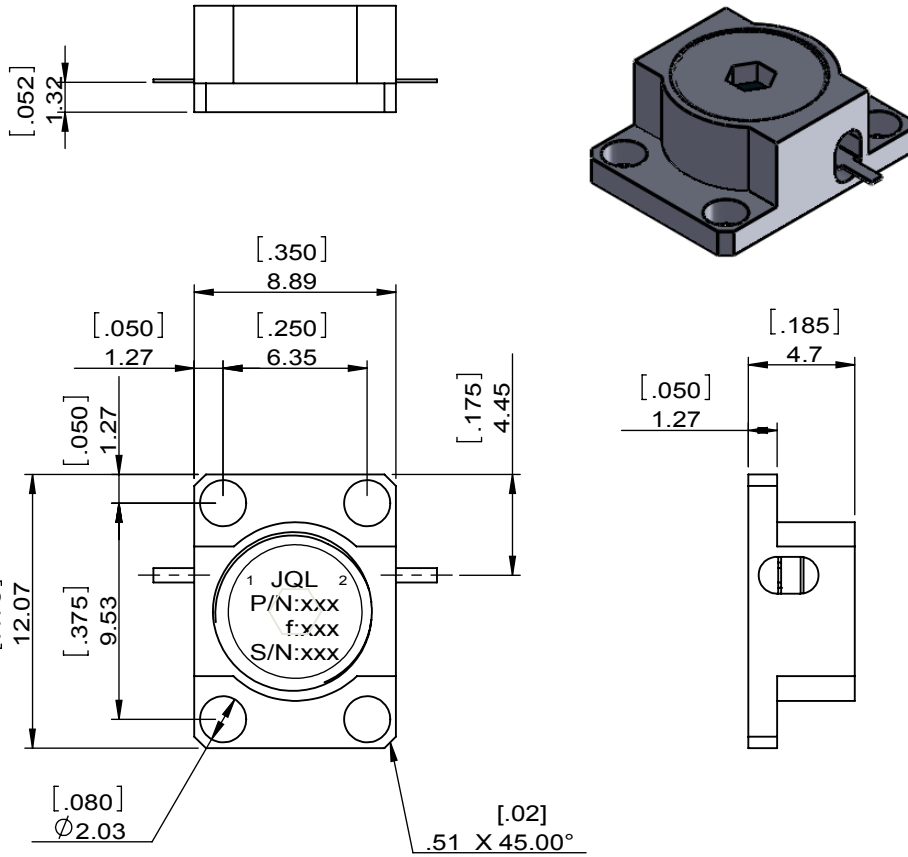


1		2		3		4		5		6	
Document No.	QR4-700-T-003	REV.	A/0	REV.	DESCRIPTION	REVISOR	DATE	APPROVED			
		0		ZC.Wu		03.18.2015		David			



SPECIFICATIONS	
Part's Number	JID17K7T19K7CM0
Frequency(GHz)	17.700~19.700
Direction	CW
Insertion Loss(dB)MAX	0.6
Isolation(dB)MIN	20.0
Return Loss(dB)MIN	19.0
3rd IMD(dBc)MAX	-
Power FWD/REV/PK(Watt)	1/0.5/-
Operating Temperature(°C)	-30~+80
Storage Temperature(°C)	-
2nd/3rd Harmonic(dBc)	-
Termination/Attenuator(Watt/dB)	-
Tab(W×LG×THK)(mm[Inch])	0.64[.025]×1.78[.07]±0.5[.02]×0.127[.005]±0.025[.001]
Additional Notes	-

JQL JQL Electronic Inc				
MATERIAL: STEEL	DWG NO: JID17K7T19K7CM0			
SURFACE TREATMENT: NICKEL PLATING	DWG BY:	ZC.Wu	03.18.2015	SCALE
DESCRIPTION: DROP-IN ISOLATOR	CHK'D BY:			3:1
	APPV'D BY:			
	Unit: mm[inch]	Tolerance: Liner: ±0.25 Anguar: ±0.5°	The First:	 A4



This document is the property of JQL Electronic Inc. It cannot be copied, duplicated, used for manufacturing purposes or communicated to third party as a whole or partly, without the written consent of JQL Electronic Inc.

WEIGHT: