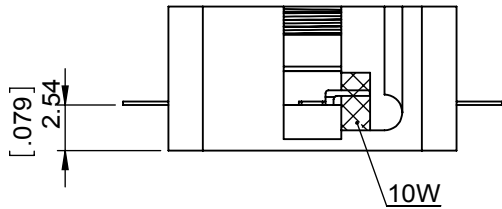
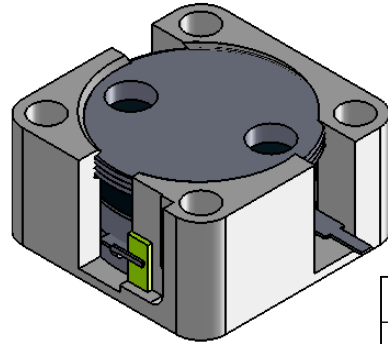
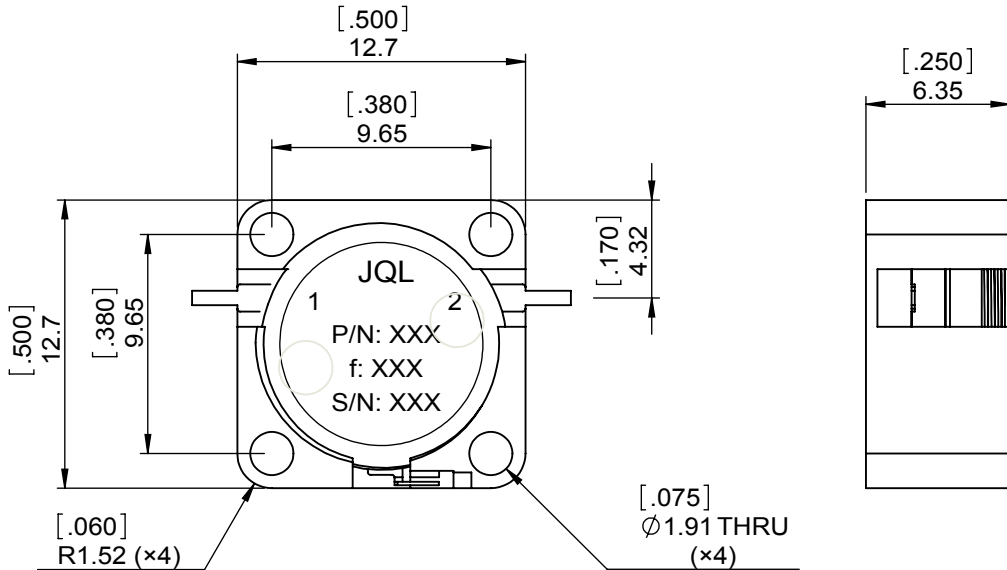


1		2		3		4		5		6		
Document No.	QR4-700-T-003							REV.	DESCRIPTION	REVISOR	DATE	APPROVED
REV.	A/0							0		ZC.W	02.25.2015	David



SPECIFICATIONS	
Part's Number	JID4560T5300VM1
Frequency(GHz)	4.56~5300
Direction	CW
Insertion Loss(dB)MAX	0.40
Isolation(dB)MIN	20.0
Return Loss(dB)MIN	20.0
3rd IMD(dBc)MAX	-
Power FWD/REV/PK(Watt)	20/10/-
Operating Temperature(°C)	-40~+70
Storage Temperature(°C)	-55~+85
2nd/3rd Harmonic(dBc)	-
Termination/Attenuator(Watt/dB)	10/-
Tab(W×LG×THK)(mm[Inch])	.635[.03]×2.0[.078]×.20[.008]
Additional Notes	-



JQL JQL Electronic Inc				
MATERIAL: STEEL		DWG NO: JID4560T5300VM1		
SURFACE TREATMENT: NICKEL PLATING		DWG BY:	ZC.W	02.25.2015
DESCRIPTION: DROP-IN ISOLATOR		CHK'D BY:		SCALE
		APPV'D BY:		3:1
		Unit: mm[inch]	Tolerance: Liner: ±0.25 Anguar: ±0.5°	The First:
				A4



This document is the property of JQL Electronic Inc. It cannot be copied, duplicated, used for manufacturing purposes or communicated to third party as a whole or partly, without the written consent of JQL Electronic Inc.