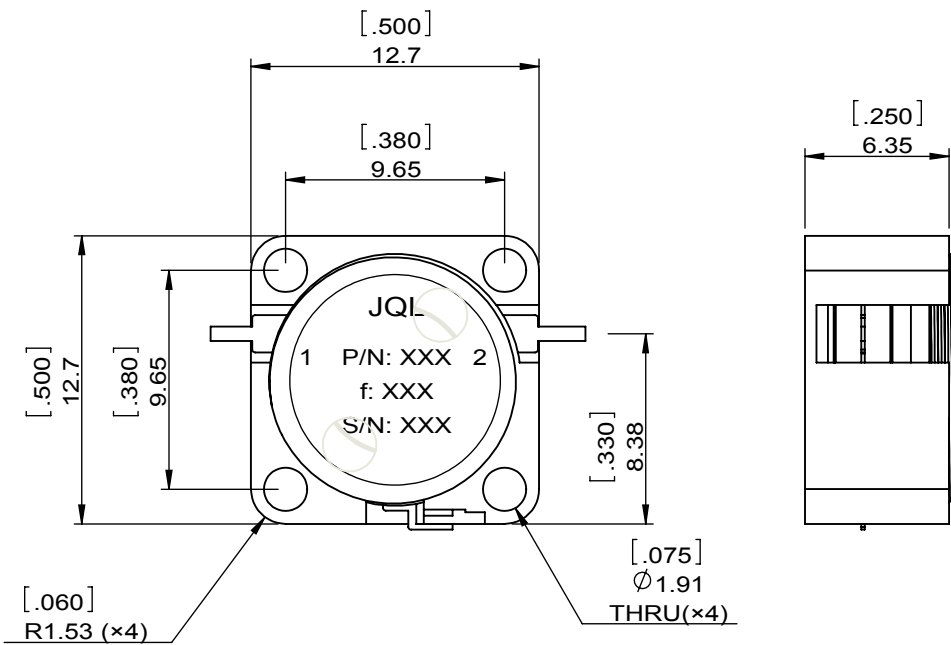
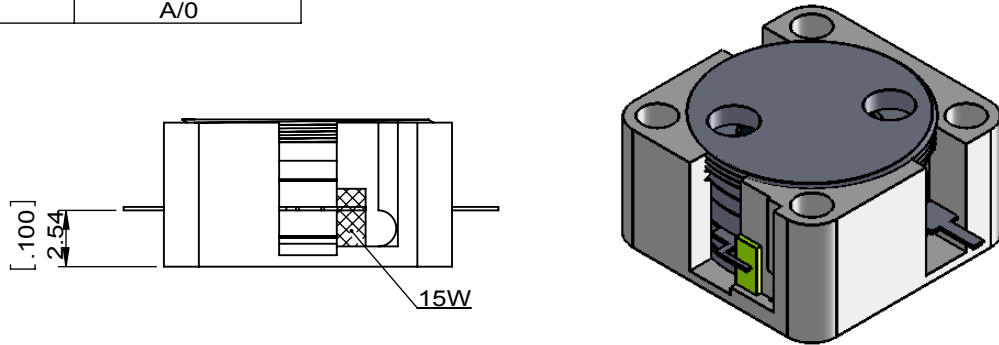


|              |               |      |     |          |             |         |      |          |  |   |  |
|--------------|---------------|------|-----|----------|-------------|---------|------|----------|--|---|--|
| 1            |               | 2    |     | 3        |             | 4       |      | 5        |  | 6 |  |
| Document No. | QR4-700-T-003 | REV. | A/0 | REV.     | DESCRIPTION | REVISOR | DATE | APPROVED |  |   |  |
|              |               | 0    |     | LJ.Zhang | 07.22.2015  | David   |      |          |  |   |  |



| SPECIFICATIONS                  |                               |
|---------------------------------|-------------------------------|
| Part's Number                   | JID5825T7150VM0               |
| Frequency(GHz)                  | 5.825~7.150                   |
| Direction                       | CW                            |
| Insertion Loss(dB)MAX           | 0.50                          |
| Isolation(dB)MIN                | 20.0                          |
| Return Loss(dB)MIN              | 19.0                          |
| 3rd IMD(dBc)MAX                 | -                             |
| Power FWD/REV/PK(Watt)          | 10/5/-                        |
| Operating Temperature(°C)       | -30~+75                       |
| Storage Temperature(°C)         | -                             |
| 2nd/3rd Harmonic(dBc)           | -                             |
| Termination/Attenuator(Watt/dB) | 15/-                          |
| Tab(W×LG×THK)(mm[Inch])         | .635[.03]×2.0[.078]×.13[.005] |
| Additional Notes                | -                             |

|   |  |                                   |   |                |
|---|--|-----------------------------------|---|----------------|
| <b>JQL</b> JQL Electronic Inc               |  |                                   |   |                |
| <b>MATERIAL:</b><br>STEEL                   |  | <b>DWG NO:</b><br>JID5825T7150VM0 |   |                |
| <b>SURFACE TREATMENT:</b><br>NICKEL PLATING |  | DWG BY:                           | LJ.Zhang                                    | 07.22.2015     |
| <b>DESCRIPTION:</b><br>DROP-IN ISOLATOR     |  | CHK'D BY:                         |   | SCALE          |
|   |  | APPV'D BY:                        |   | 3:1            |
|   |  | Unit:<br>mm[inch]                 | Tolerance:<br>Liner: ±0.25<br>Anguar: ±0.5° | The First:<br> |
|   |  |                                   |   | A4             |



This document is the property of JQL Electronic Inc. It cannot be copied, duplicated, used for manufacturing purposes or communicated to third party as a whole or partly, without the written consent of JQL Electronic Inc.