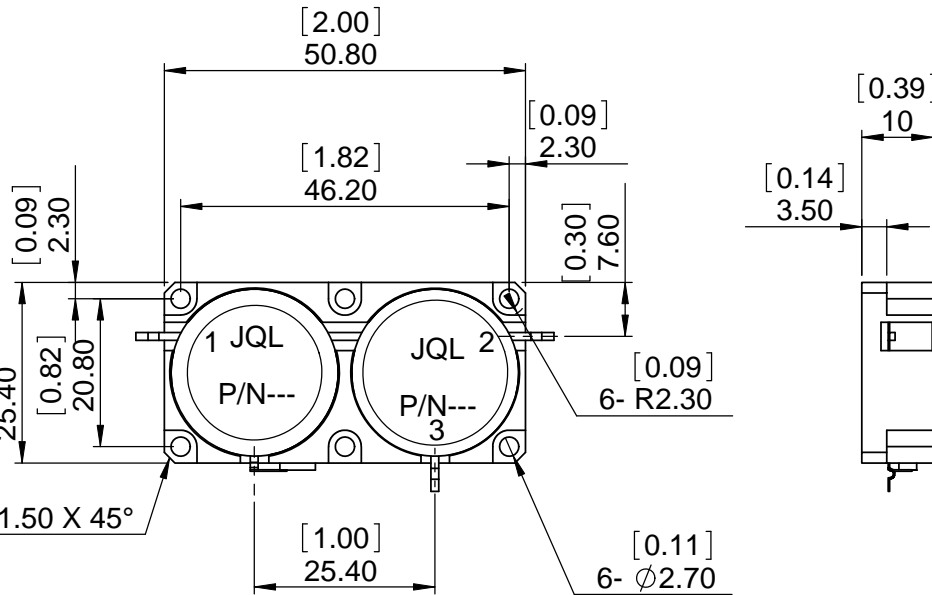
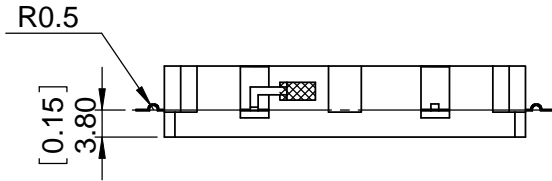
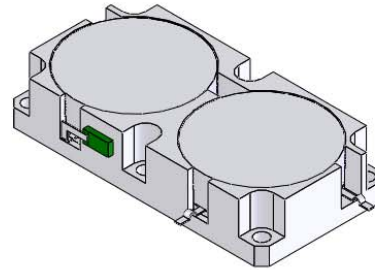


REV.	DESCRIPTION	REVISOR	DATE	APPROVE
0		MH	02.15.11	CH



### SPECIFICATION

Part's Number: PACKAGE M DUAL 2.00"X1.00"  
 Frequency: 0.600~1.200GHz  
 Up to 30% Bandwidth

Direction: CW  
 Insertion Loss: 0.5dB Max P1-P2,  
 0.25dB Max P2-P3  
 Isolation: 20dB Min P3-P2  
 40dB Min P2-P1

RL: 20dB MIN  
 Power FWD/REV/PK: 100W/100W/500W  
 Temperature: -20C~+80C  
 Termination: 10W

BODY:STEEL,NICKEL PLATED  
 TAB:BRASS,SILVER PLATED 1.1W X 4.0LG X 0.20THK.



**JQL** JQL Electronic Inc

500 Lake Cook Road, Suite 350  
 Deerfield, IL 60015, USA  
 Tel : 1(888)236-9828  
 Fax: 1(630)823-2902

MATERIAL:  
**STEEL**

SURFACE TREATMENT:  
**NICKLE PLATING**

DESCRIPTION:  
**DROP-IN ISOLATOR**

DWG NO.  
**PACKAGE M DUAL 2.00"X1.00"**

	NAME	DATE	SCALE:
DWG BY:	MH	02.15.11	1:1
CHK'D BY:	FW	02.15.11	
APPVD BY:	CH	02.15.11	

Unit: mm	TOLERANCE: Liner: ±0.1mm Angular: ±0.5°	Type Of Projection 	A4
----------	---	------------------------	----

WEIGHT:

SHEET 1 OF 1