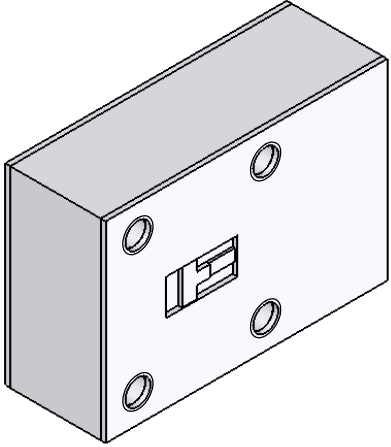
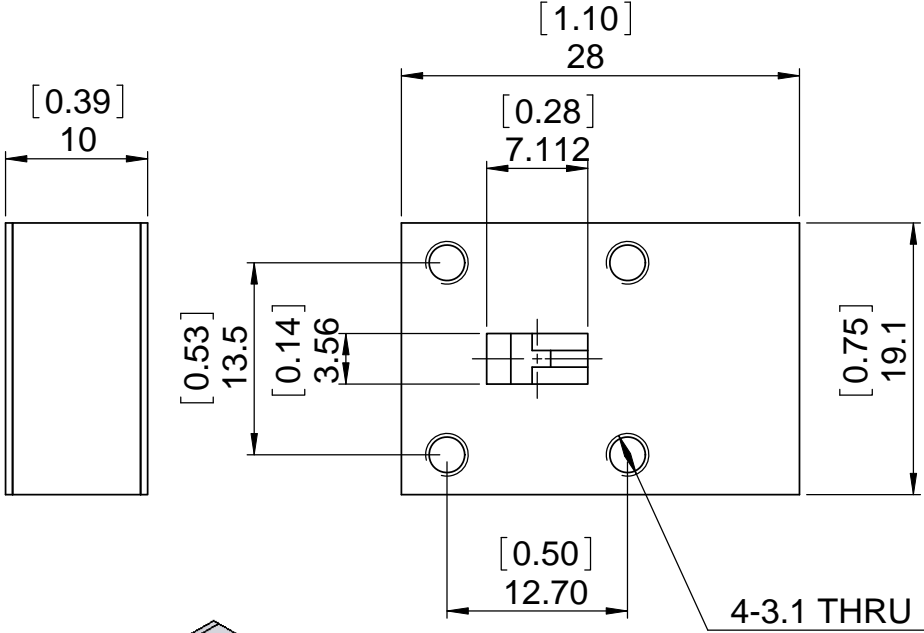


REV.	DESCRIPTION	REVISOR	DATE	APPROVE

SPECIFICATIONS

P/N: JIWR28-10-27K5T28K6
 FREQ: 27.5~28.6GHz
 ISOLATION: 20dB MIN
 INS LOSS: 0.35dB MAX
 VSWR: 1.25:1 MAX
 PWR FWR/REV 5W/1W AVG
 TEMP: -40C~+85C



This document is the property of JQL Electronic Inc.
 It cannot be copied, duplicated, used for manufacturing purposes
 or communicated to third party as a whole or partly,
 without the written consent of JQL Electronic Inc.

JQL JQL Electronic Inc 500 Lake Cook Road, Suite 350 Tel : 1(888)236-9828
 Deerfield, IL 60015, USA Fax: 1(630)823-2902

MATERIAL:	DWG NO. JIWR28-10-27K5T28K6			
SURFACE TREATMENT:				
DESCRIPTION:	NAME	DATE	SIGNATURE	REV:
WAVEGUIDE ISO	DWG BY: SY	01.13.09		0
	CHK'D BY: GC	01.13.09		
	APPV'D BY: JZ	01.13.09		
	TOLERANCE	Q.A	A4	
	Liner: ±0.1mm			
	Angular: ±0.5°			