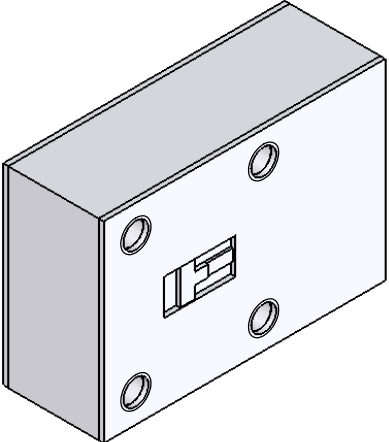
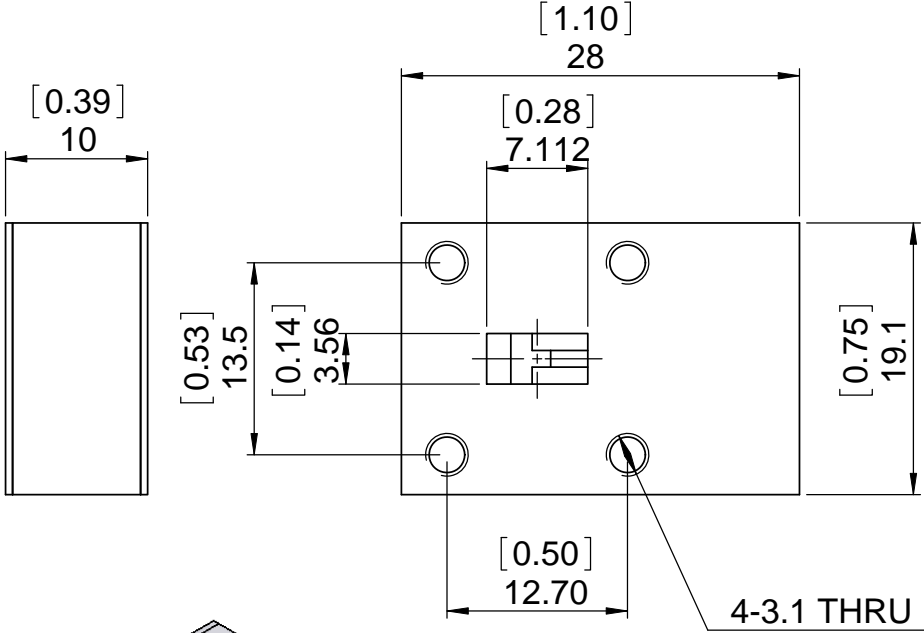


REV.	DESCRIPTION	REVISOR	DATE	APPROVE

SPECIFICATIONS

P/N: JIWR28-10-27K5T29K5
 FREQ: 27.5~29.5GHz
 ISOLATION: 20dB MIN
 INS LOSS: 0.40dB MAX
 VSWR: 1.25:1 MAX
 PWR FWR/REV 5W/1W AVG
 TEMP: -30C~+60C



This document is the property of JQL Electronic Inc. It cannot be copied, duplicated, used for manufacturing purposes or communicated to third party as a whole or partly, without the written consent of JQL Electronic Inc.

JQL JQL Electronic Inc 500 Lake Cook Road, Suite 350 Tel : 1(888)236-9828
 Deerfield, IL 60015, USA Fax: 1(630)823-2902

MATERIAL: DWG NO. JIWR28-10-27K5T29K5

SURFACE TREATMENT:

DESCRIPTION: WAVEGUIDE ISO

NAME	DATE	SIGNATURE	REV:
DWG BY: SY	01.13.09		0
CHK'D BY: GC	01.13.09		
APPV'D BY: JZ	01.13.09		
TOLERANCE		Q.A	A4
Liner: ±0.1mm			
Angular: ±0.5°			