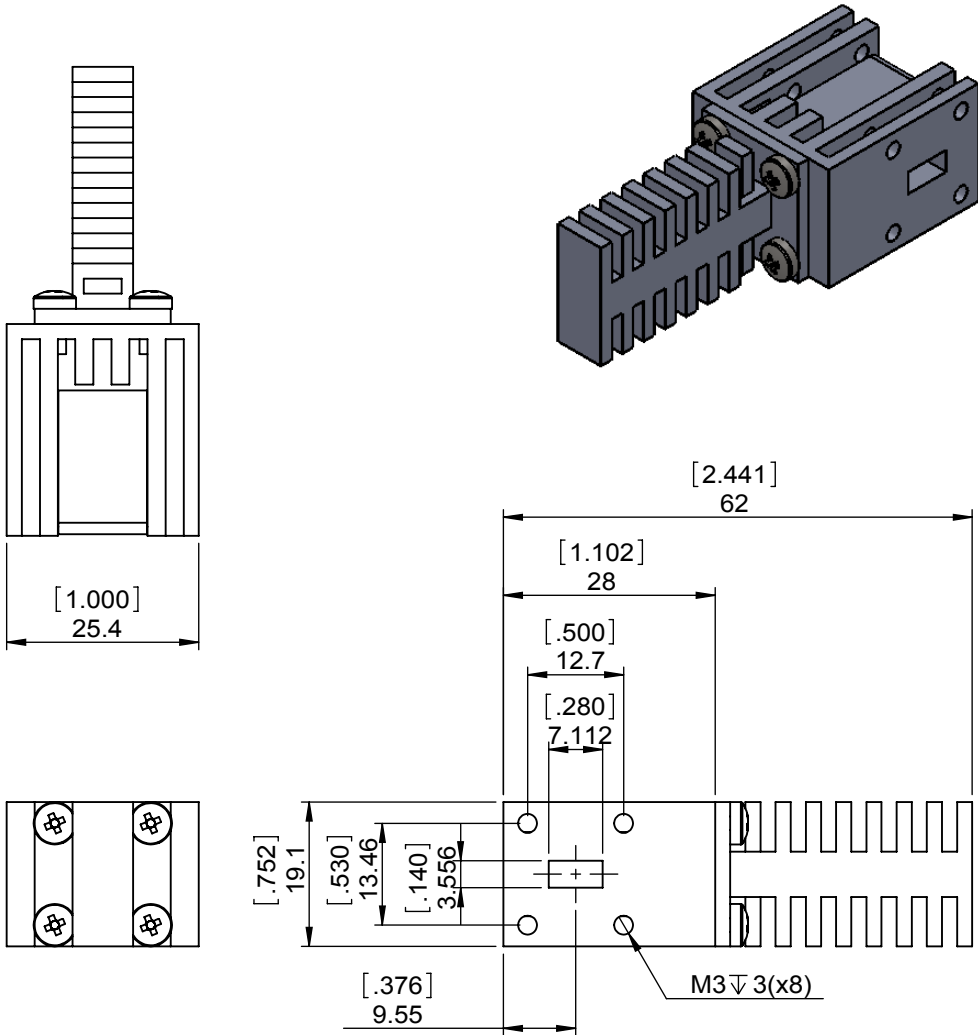


1		2		3		4		5		6	
Document No.	QR4-700-T-003					REV.	DESCRIPTION	REVISOR	DATE	APPROVED	
REV.	A/0					0		M.Hao	09.09.2013	David	



SPECIFICATIONS	
Part's Number	JIWR28-25.4B1-TBD
Frequency(GHz)	26.50~40.00
Bandwidth Up To 10%	
Direction	-
Insertion Loss(dB)MAX	0.30
Isolation(dB)MIN	20.0
Return Loss(dB)MIN	19.0
3rd IMD(dBc)MAX	-
Power FWD/REV/PK(Watt)	25/25/-
Operating Temperature( $^{\circ}$ C)	-31~+70
Storage Temperature( $^{\circ}$ C)	-
2nd/3rd Harmonic(dBc)	-
Termination/Attenuator(Watt/dB)	-
Tab(W $\times$ LG $\times$ THK)(mm[Inch])	-
Additional Notes	-

**JQL** JQL Electronic Inc 500 Lake Cook Road, Suite 350 Deerfield, IL 60015, USA Tel: 1(888)236-9828 Fax: 1(888)823-2902

<b>MATERIAL:</b> AL	<b>DWG NO:</b> JIWR28-25.4B1-TBD			
<b>SURFACE TREATMENT:</b> CHEM FILM	DWG BY:	M.Hao	09.09.2013	SACLE
	CHK'D BY:			
<b>DESCRIPTION:</b> WAVEGUIDE ISOLATOR	APPV'D BY:			1:1
	Unit: mm[inch]	Tolerance: Liner: $\pm$ 0.25 Anguar: $\pm$ 0.5 $^{\circ}$	The First:	
			A4	



This document is the property of JQL Electronic Inc. It cannot be copied, duplicated, used for manufacturing purposes or communicated to third party as a whole or partly, without the written consent of JQL Electronic Inc.