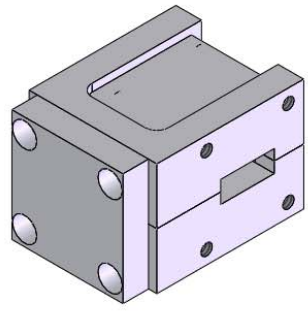
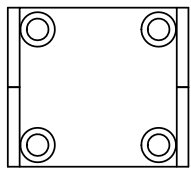


1 2 3 4 5 6

Stock Number

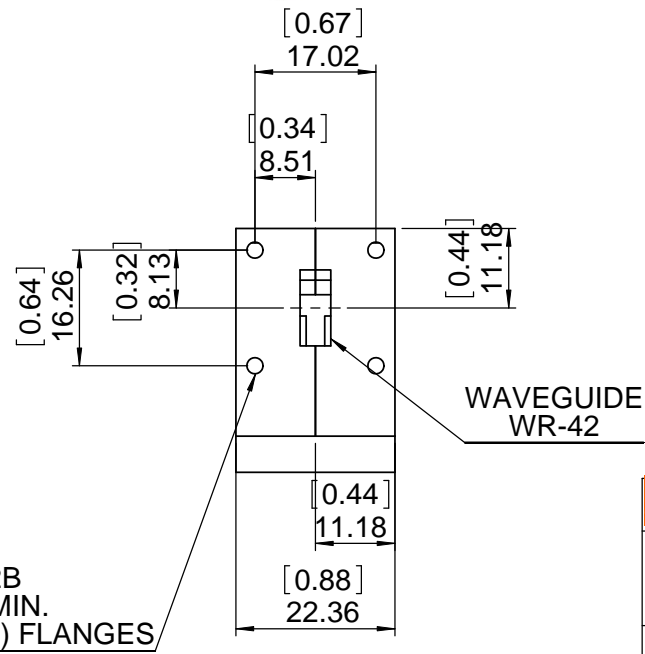
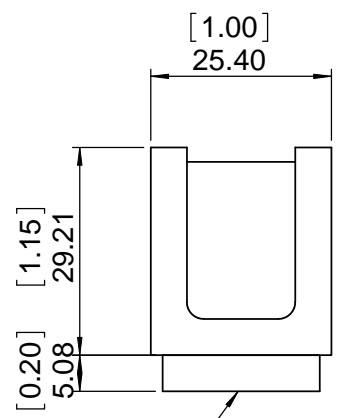
REV.	DESCRIPTION	REVISOR	DATE	APPROVE
0		MH	02.14.11	CH



**SPECIFICATIONS**

P/N: JIWR42-F-TBD  
 FREQ: 17.60~26.70GHz  
 Bandwidth Up To 30%

ISOLATION: 23dB MIN  
 INS LOSS: 0.25dB MAX  
 VSWR: 1.15:1 MAX  
 PW FWD/REV: 10W/2W  
 PRESSURE: 5PSI MAX  
 TEMP: -40~+80C



WAVEGUIDE WR-42



This document is the property of JQL Electronic Inc. It cannot be copied, duplicated, used for manufacturing purposes or communicated to third party as a whole or partly, without the written consent of JQL Electronic Inc.

LOAD  
 4-40 UNC-2B X 4.32 DP.MIN.  
 (4) PLCS (2) FLANGES

<b>JQL</b> JQL Electronic Inc		500 Lake Cook Road, Suite 350 Deerfield, IL 60015, USA		Tel : 1(888)236-9828 Fax: 1(630)823-2902	
MATERIAL:	DWG NO. JIWR42-F-TBD				
SURFACE TREATMENT:					
DESCRIPTION: WAVEGUIDE ISOLATOR	NAME MH		DATE 02.14.11		SCALE: 1:1
	CHK'D BY: FW		02.14.11		A4
	APPVD BY: CH		02.14.11		
Unit: mm	TOLERANCE: Liner: ±0.1mm Angular: ±0.5°		Type Of Projection		

1 2 WEIGHT: SHEET 1 OF 1