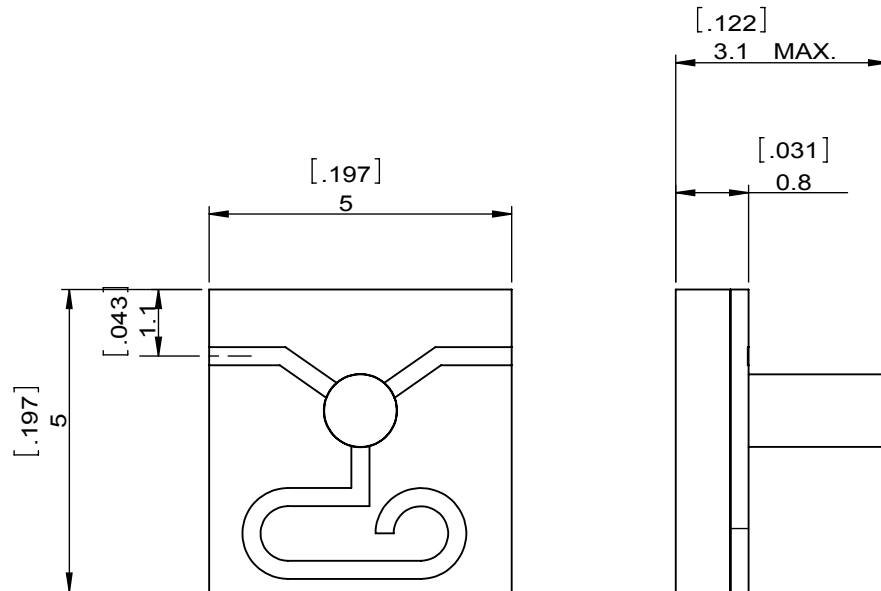


1		2		3		4		5		6	
Document No.	QR4-700-T-003	REV.		REV.	DESCRIPTION	REVISOR	DATE	APPROVED			
REV.	A/0	0		ZC.Wu		09.22.2015		David			



SPECIFICATIONS	
Part's Number	JIS18K0T20K0G0
Frequency(GHz)	18.00~20.00
Direction	
Insertion Loss(dB)MAX	0.8
Isolation(dB)MIN	17.0
Return Loss(dB)MIN	16.0
3rd IMD(dBc)MAX	
Power FWD/REV/PK(Watt)	1/1/-
Operating Temperature(°C)	-40~+70
Storage Temperature(°C)	
2nd/3rd Harmonic(dBc)	-
Termination/Attenuator(Watt/dB)	1
Tab(W×LG×THK)(mm[Inch])	
Additional Notes	CONNECTOR TYPE:GWB

<b>JQL</b> JQL Electronic Inc				
<b>MATERIAL:</b> -		<b>DWG NO:</b> JIS18K0T20K0G0		
<b>SURFACE TREATMENT:</b> -		DWG BY:	ZC.Wu	09.22.2015
<b>DESCRIPTION:</b> MICROSTRIP ISOLATEOR		CHK'D BY:		SCALE
		APPV'D BY:		8:1
		Unit: mm[inch]	Tolerance: Liner: ±0.25 Anguar: ±0.5°	The First: 
				A4



This document is the property of JQL Electronic Inc. It cannot be copied, duplicated, used for manufacturing purposes or communicated to third party as a whole or partly, without the written consent of JQL Electronic Inc.