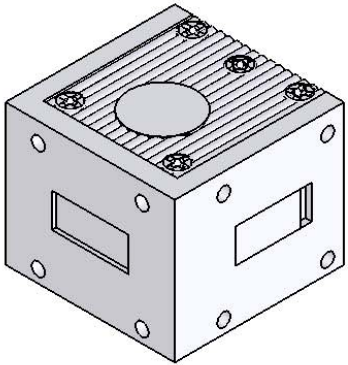
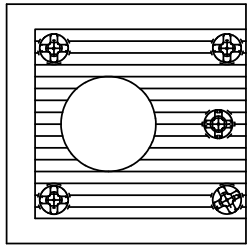
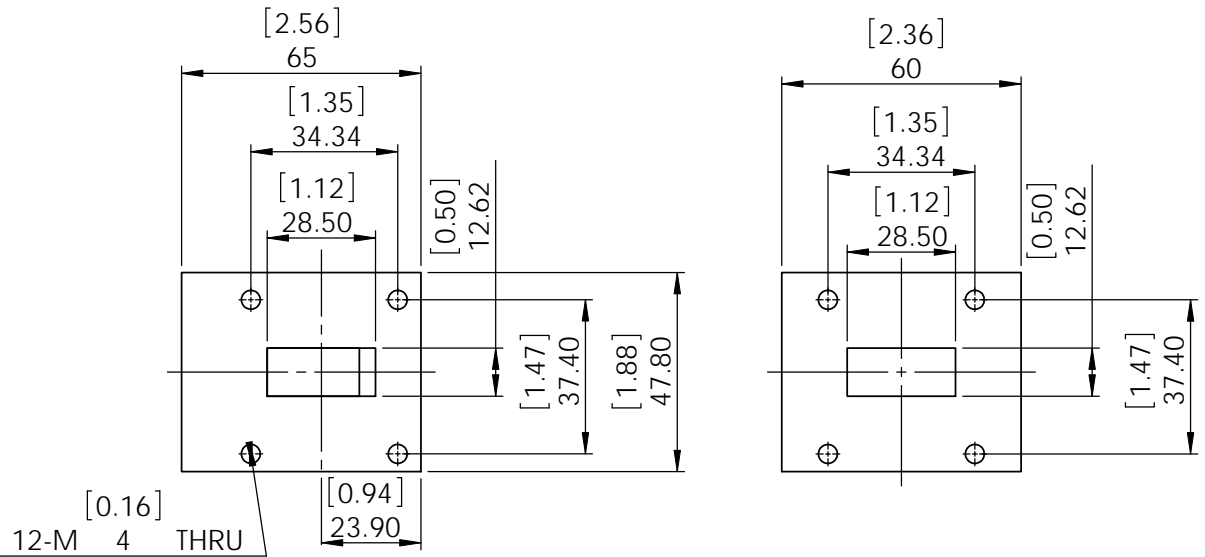


REV.	DESCRIPTION	REVISOR	DATE	APPROVE

**SPECIFICATIONS**

P/N: JCWR112-6-HP-7500T8000  
 FREQ: 7.5~8.0GHZ  
 ISOLATION: 22dB MIN  
 INS LOSS: 0.4dB MAX  
 VSWR: 1.25:1 MAX  
 PWR: 350W AVG  
 WAVEGUIDE: WR112  
 TEMP: -40C~+85C



This document is the property of JQL Electronic Inc. It cannot be copied, duplicated, used for manufacturing purposes or communicated to third party as a whole or partly, without the written consent of JQL Electronic Inc.

**JQL JQL Electronic Inc** 500 Lake Cook Road, Suite 350 Tel : 1(888)236-9828  
 Deerfield, IL 60015, USA Fax: 1(630)823-2902

MATERIAL:	COPPER				DWG NO.	JCWR112-6-HP-7500T8000			
SURFACE TREATMENT:	SILVER PLATING								
DESCRIPTION:	WAVEGUIDE CIRCULATOR								
		NAME	DATE	SIGNATURE	REV:				
	DWG BY:	SY	10.27.08						
	CHK'D BY:	GC	10.27.08		0				
	APPV'D BY:	JZ	10.27.08						
		TOLERANCE		Q.A	A4				
		Liner: ±0.1mm							
		Angular: ±0.5°							