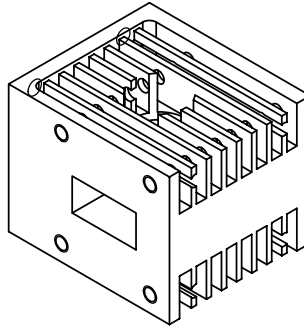
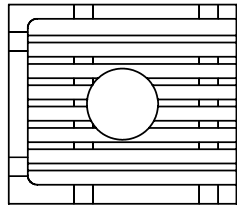


Document No.	QR4-700-T-003
REV.	A/0

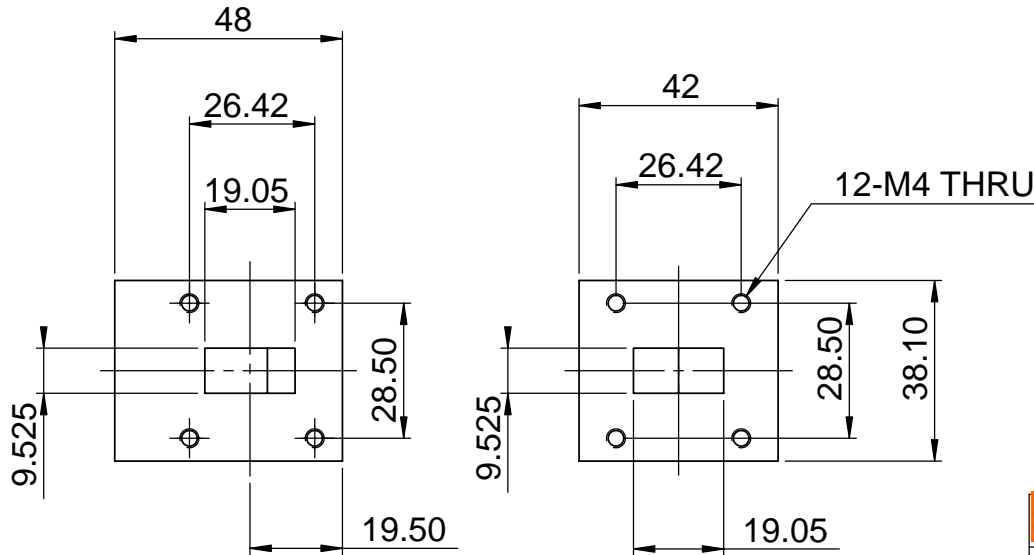
REV.	DESCRIPTION	REVISOR	DATE	APPROVE
0		ZLJ	08.02.12	CH



SPECIFICATION

Part's Number: JCWR75-42B-13K7T14K5-HP
 Frequency: 13.700~14.500 GHz

Direction: CW
 Insertion Loss: 0.35dB
 Isolation: 20dB
 VSWR: 1.20:1
 Power: 120W
 Temp: -40C~+85C



This document is the property of JQL Electronic Inc.
 It cannot be copied, duplicated, used for manufacturing purposes
 or communicated to third party as a whole or partly,
 without the written consent of JQL Electronic Inc.

JQL JQL Electronic Inc

500 Lake Cook Road, Suite 350 Tel : 1(888)236-9828
 Deerfield, IL 60015, USA Fax: 1(630)823-2902

MATERIAL:	DWG NO.			SCALE:
SURFACE TREATMENT:	JCWR75-42B-13K7T14K5-HP			
DESCRIPTION: WAVEGUIDE CIR	DWG BY:	NAME	DATE	1:1
	CHK'D BY:	ZLJ	08.02.12	
	APP'VD BY:			
Unit: mm	TOLERANCE: Liner: ±0.1mm Angular: ±0.5°	Type Of Projection		A4



WEIGHT:

SHEET 1 OF 1