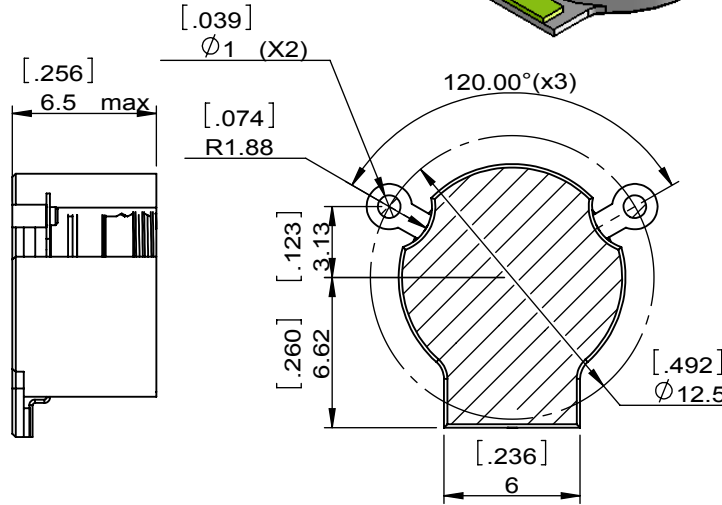
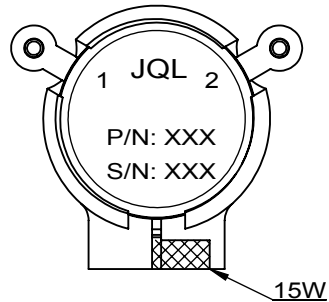
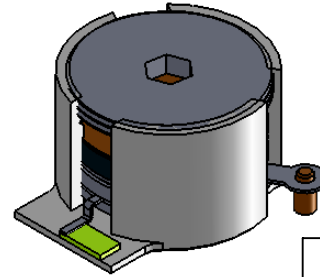
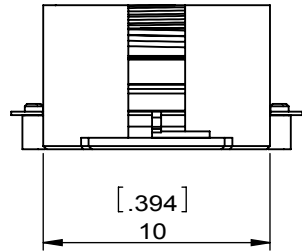
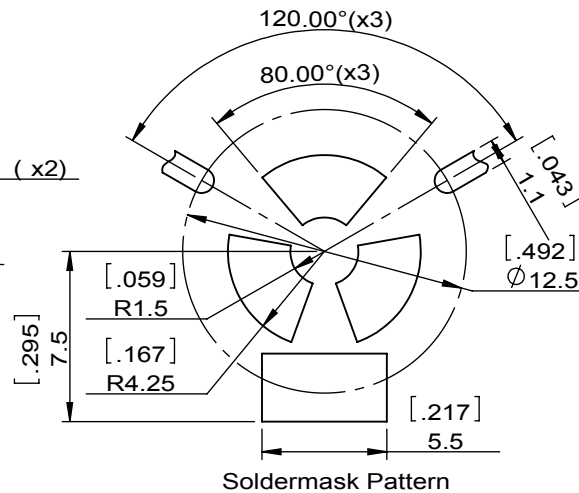
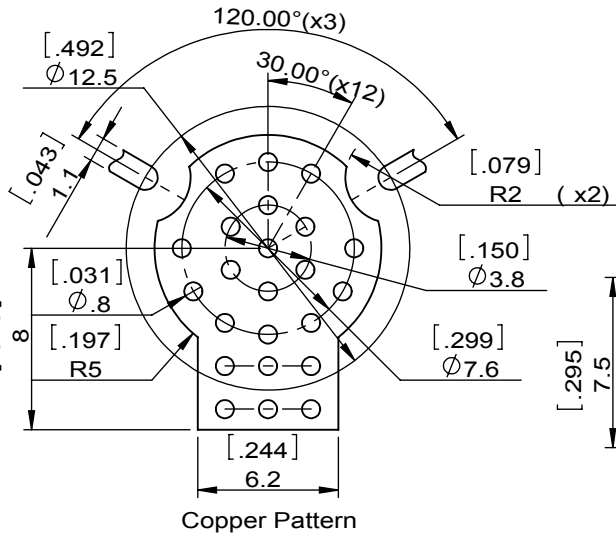


|              |               |
|--------------|---------------|
| 1            | 2             |
| Document No. | QR4-700-T-003 |
| REV.         | A/0           |

|      |             |         |            |          |
|------|-------------|---------|------------|----------|
| 4    | 5           | 6       |            |          |
| REV. | DESCRIPTION | REVISOR | DATE       | APPROVED |
| 0    |             | ZC.Wu   | 11.02.2016 | David    |



| SPECIFICATIONS                  |                 |
|---------------------------------|-----------------|
| Part's Number                   | JCM2620T2690PT1 |
| Frequency(GHz)                  | 2.620~2.690     |
| Direction                       | CW              |
| Insertion Loss(dB)MAX           | 0.25            |
| Isolation(dB)MIN                | 20.0            |
| Return Loss(dB)MIN              | 20.0            |
| 3rd IMD(dBc)MAX                 | -65@2X10W       |
| Power FWD/REV/PK(Watt)          | 10/10/-         |
| Operating Temperature(°C)       | -40~+125        |
| Storage Temperature(°C)         |                 |
| 2nd/3rd Harmonic(dBc)           |                 |
| Termination/Attenuator(Watt/dB) | 15W             |
| Tab(W×LG×THK)(mm[Inch])         | -               |
| Additional Notes                |                 |



|   |  |                                   |   |                |
|---|--|-----------------------------------|---|----------------|
| <b>JQL JQL Electronic Inc</b>               |  |                                   |   |                |
| <b>MATERIAL:</b><br>STEEL                   |  | <b>DWG NO:</b><br>JCM2620T2690PT1 |   |                |
| <b>SURFACE TREATMENT:</b><br>SILVER PLATING |  | DWG BY:                           | ZC.Wu                                       | 11.02.2016     |
| <b>DESCRIPTION:</b><br>SMT ISOLATOR         |  | CHK'D BY:                         |   | SCALE          |
|   |  | APPV'D BY:                        |   | 3:1            |
|   |  | Unit:<br>mm[inch]                 | Tolerance:<br>Liner: ±0.25<br>Anguar: ±0.5° | The First:<br> |
|   |  |                                   |   | A4             |



This document is the property of JQL Electronic Inc. It cannot be copied, duplicated, used for manufacturing purposes or communicated to third party as a whole or partly, without the written consent of JQL Electronic Inc.