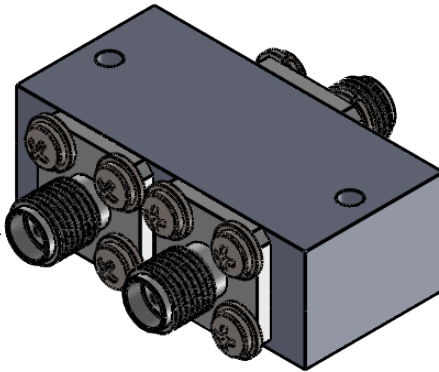
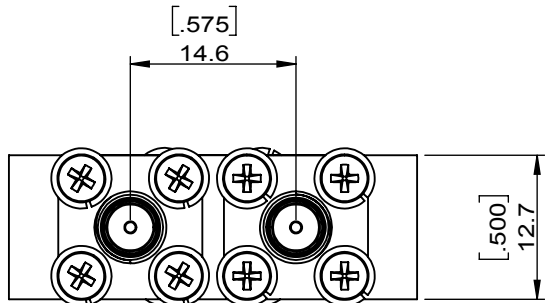
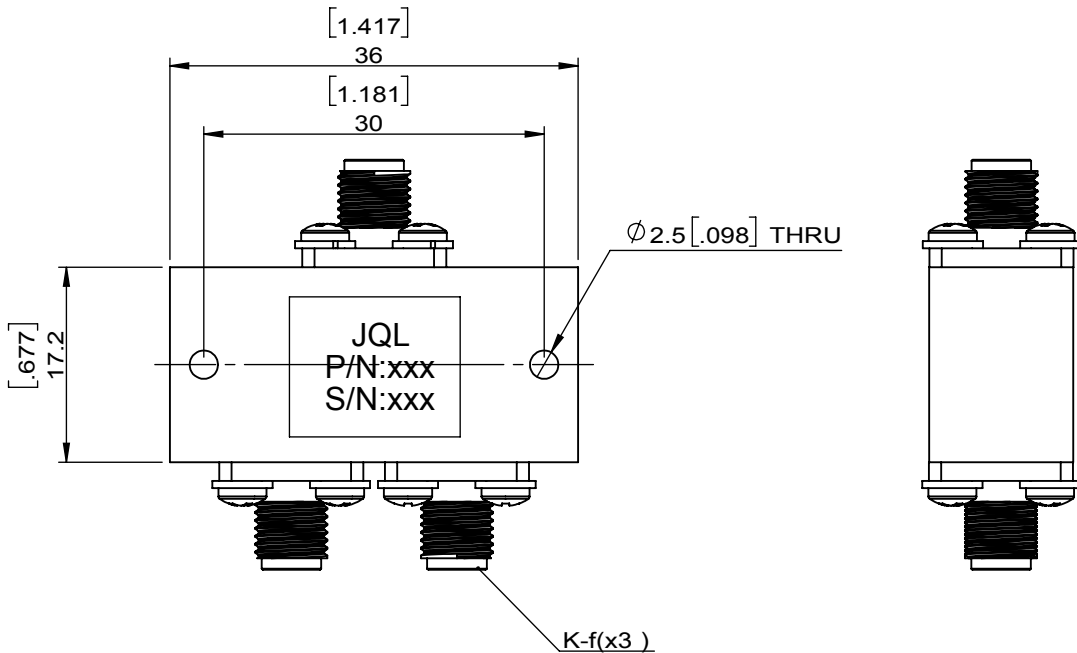


1		2		3		4		5		6	
Document No.	QR4-700-T-003	REV.	A/0	REV.	DESCRIPTION	REVISOR	DATE	APPROVED			
				0		ZC.Wu	04.28.2018	HC.Qiu			



SPECIFICATIONS	
Part's Number	JSP-27K4T30K4-K3
Frequency(GHz)	27.400~30.400
Direction	
Insertion Loss(dB)MAX	1.2 +3dB
Isolation(dB)MIN	12.0
Return Loss(dB)MIN	14.0
Phase Unbalance(dB)	0.8
Phase Unbalance	12°
Power FWD/REV/PK(Watt)	30/-/-Max Input Power
Operating Temperature(°C)	-40~+85
Storage Temperature(°C)	-
2nd/3rd Harmonic(dBc)	-
Termination/Attenuator(Watt/dB)	-
Tab(W×LG×THK)(mm[Inch])	
Additional Notes	-



JQL JQL Electronic Inc				
MATERIAL:		DWG NO: JSP-27K4T30K4-K3		
SURFACE TREATMENT: NICKEL PLATING		DWG BY:	ZC.Wu	04.28.2018
DESCRIPTION:		CHK'D BY:		SCALE
		APPV'D BY:		3:2
		Unit: mm[inch]	Tolerance: Liner: ±0.25 Anguar: ±0.5°	The First:
				A4



This document is the property of JQL Electronic Inc. It cannot be copied, duplicated, used for manufacturing purposes or communicated to third party as a whole or partly, without the written consent of JQL Electronic Inc.