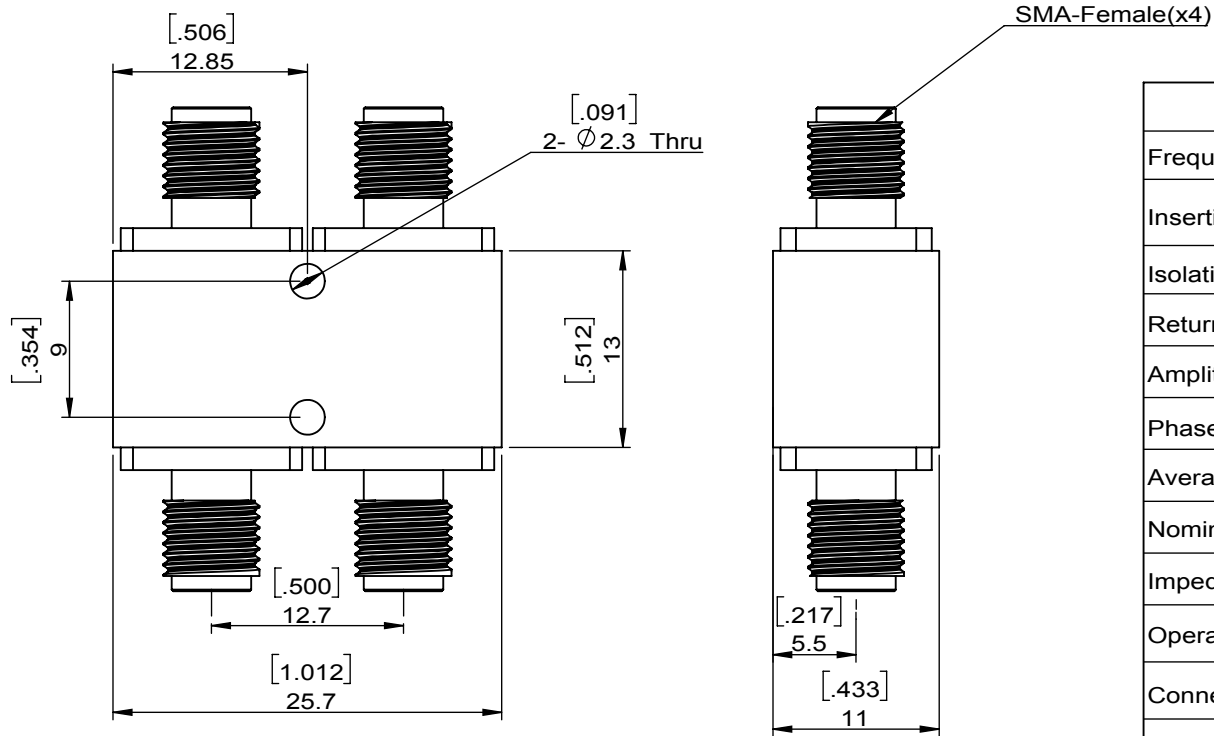


1		2		3		4		5		6	
Document No.	QR4-700-T-003	REV.	A/0	REV.	DESCRIPTION	REVISOR	DATE	APPROVED			
		0		Jun.Ma	07.24.2018	David					



ITEM	SPECIFICATIONS
Frequency(GHz)	4.0~8.0
Insertion Loss(dB)	0.35 Max
Isolation(dB)	18 Min
Return Loss(dB)	17 Min
Amplitude Unbalance(dB)	±0.5
Phase Unbalance(°)	±3
Average Power (W)	50 Max
Nominal Degree(°)	90 Typ
Impedance(Ω)	50
Operating Temperature(°C)	-45~+85
Connector	SMA-Female
Notes	

JQL JQL Electronic Inc				
MATERIAL:		DWG NO: HC-4000T8000-S5		
SURFACE TREATMENT: Blue Paint		DWG BY:	Jun.Ma	07.24.2018
DESCRIPTION: Hybrid Coupler		CHK'D BY:		SCALE
		APPV'D BY:		1:2
		Unit: mm[inch]	Tolerance: Liner: ±0.2 Anguar: ±0.5°	The First:
				A4



This document is the property of JQL Electronic Inc. It cannot be copied, duplicated, used for manufacturing purposes or communicated to third party as a whole or partly, without the written consent of JQL Electronic Inc.