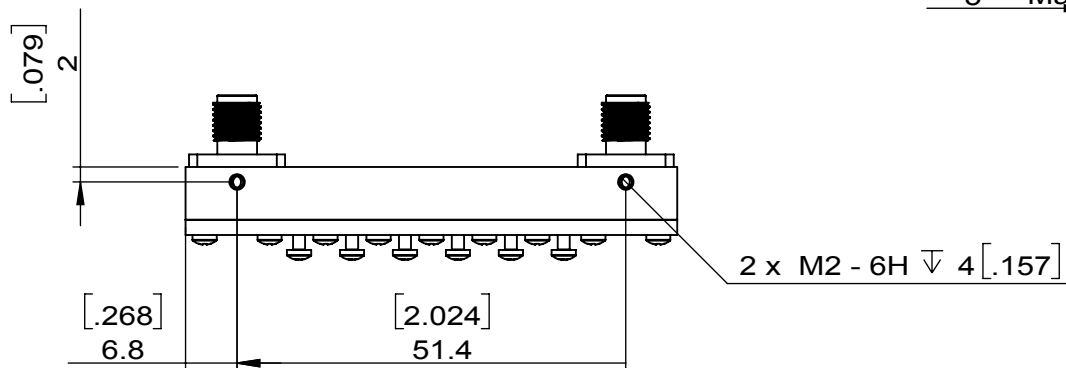
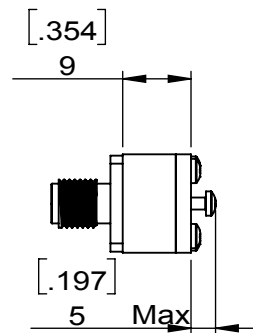
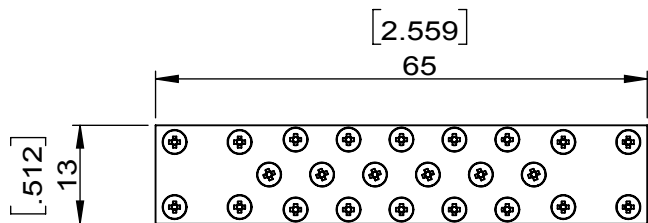
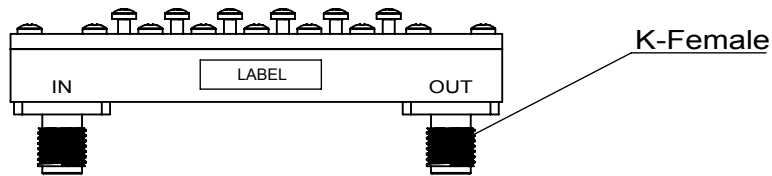


1		2		3		4		5		6	
Document No.	QR4-700-T-003	REV.	A/0	REV.	DESCRIPTION	REVISOR	DATE	APPROVED			
		0		Jun.Ma	07.17.2018	David					



ITEM	SPECIFICATIIONS
Frequency(GHz)	36.5-38.0
Insetion Loss(dB)	1.0 Max
Return Loss(dB)	16.0Min
Rejection(dB)	40.0Min@35.0GHz
GDA	0.5nSec over 300MHz BW
Power (W)	1 Max
Temperature(°C)	10~+35
Connector	K- Female
Notes	

JQL JQL Electronic Inc			
MATERIAL:		DWG NO:	
SURFACE TREATMENT: SILVER PLATED		JFCB36K5T38K0KF	
DESCRIPTION: FILTER		DWG BY: Jun.Ma	07.17.2018
		CHK'D BY:	SCALE
		APPV'D BY:	1:1
		Unit: mm[inch]	Tolerance: Liner: ±0.25
			Anguar: ±0.5°
		The First:	
		A4	



This document is the property of JQL Electronic Inc. It cannot be copied, duplicated, used for manufacturing purposes or communicated to third party as a whole or partly, without the written consent of JQL Electronic Inc.