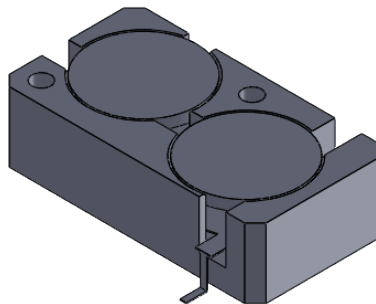
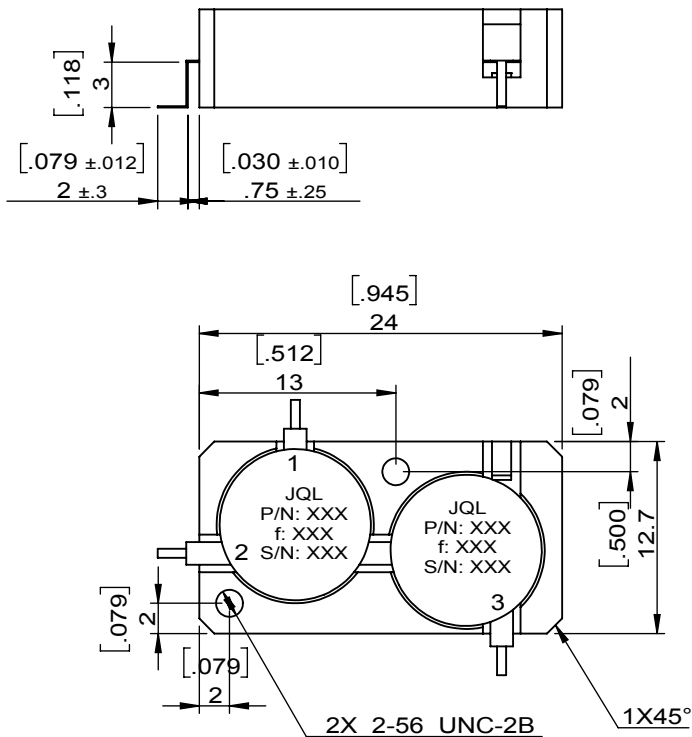


1		2		3		4		5		6	
Document No.	QR4-700-T-003	REV.	A/0	REV.	DESCRIPTION	REVISOR	DATE	APPROVED			
				0		Hu.Jiang	07.13.2018	CH.Qiu			



SPECIFICATIONS	
Part's Number	J12D2895T3605VM4
Frequency(GHz)	2.895~3.605
Direction	
Insertion Loss(dB)MAX	0.5@P1~P2 1.5@P2~P3
Isolation(dB)MIN	32.0@P3~P2 15.5@P2~P1 16.0@P1~P3
Return Loss(dB)MIN	16@+25°C 15.5@P2&P1 13.0@P3
3rd IMD(dBc)MAX	-
Power FWD/REV/PK(Watt)	40/40/200 1.5ms 20% DS
Operating Temperature(°C)	-40~+85
Storage Temperature(°C)	-40~+125
2nd/3rd Harmonic(dBc)	-
Termination/Attenuator(Watt/dB)	-
Tab(W×LG×THK)(mm[Inch])	
Additional Notes	OBR 4.5-18GHz TBD



<b>JQL</b> JQL Electronic Inc				
<b>MATERIAL:</b> STEEL		<b>DWG NO:</b> J12D2895T3605VM4		
<b>SURFACE TREATMENT:</b> NICKEL PLATING		DWG BY:	Hu.Jiang	07.13.2018
<b>DESCRIPTION:</b> DUAL JUNCTION DROP-IN ISOLATOR		CHK'D BY:		SCALE
		APPV'D BY:		2:1
		Unit: mm[inch]	Tolerance: Liner: ±0.25 Anguar: ±0.5°	The First: 
				A4



This document is the property of JQL Electronic Inc. It cannot be copied, duplicated, used for manufacturing purposes or communicated to third party as a whole or partly, without the written consent of JQL Electronic Inc.