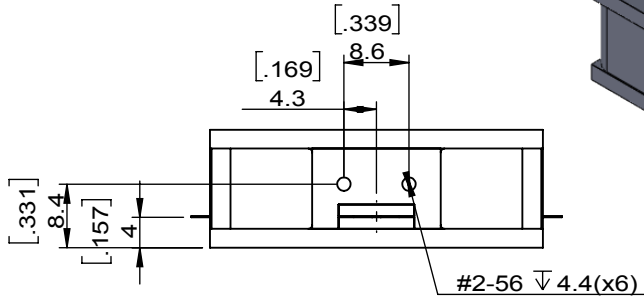
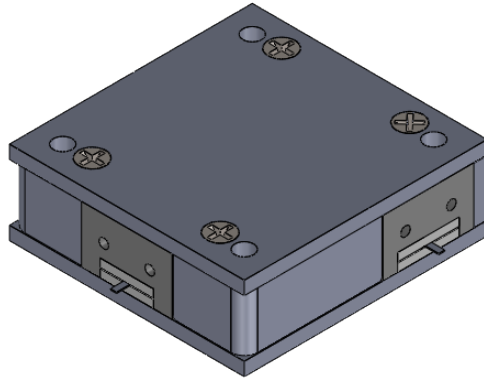
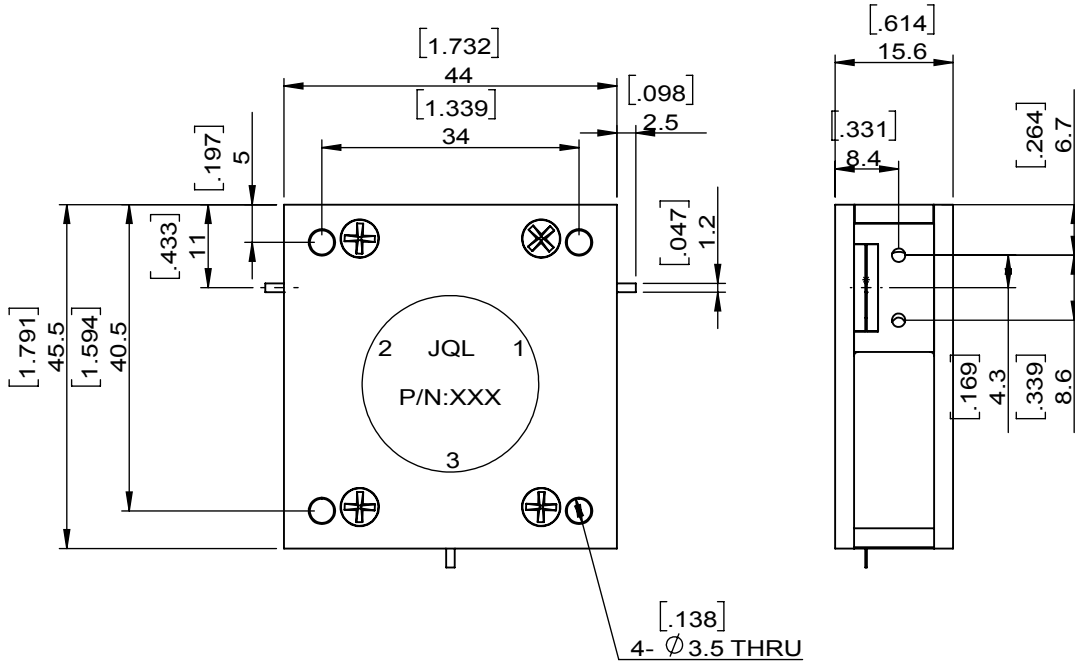


1		2		3		4		5		6	
Document No.	QR4-700-T-003	REV.	A/0	REV.	DESCRIPTION	REVISOR	DATE	APPROVED			
				0		Hu.Jiang	12.10.2018	CH.Qiu			



SPECIFICATIONS	
Part's Number	JCD0388T0452G50C
Frequency(GHz)	0.388~0.452
Direction	CCW
Insertion Loss(dB)MAX	0.4
Isolation(dB)MIN	20.0
Return Loss(dB)MIN	20.0
3rd IMD(dBc)MAX	-
Power FWD/REV	400/1200 PK (Watt)20ms pulse Duty 40%
Operating Temperature(°C)	-20~+85
Storage Temperature(°C)	-55~+125
2nd/3rd Harmonic(dBc)	-60/-
Termination/Attenuator(Watt/dB)	-
Tab(W×LG×THK)(mm[Inch])	
Additional Notes	



JQL JQL Electronic Inc				
MATERIAL: VARIOUS		DWG NO: JCD0388T0452G50C		
SURFACE TREATMENT: NICKEL PLATING		DWG BY:	Hu.Jiang	12.10.2018
DESCRIPTION: DROP-IN CIRCULATOR		CHK'D BY:		SCALE
		APPV'D BY:		1:1
		Unit: mm[inch]	Tolerance: Liner: ±0.25 Anguar: ±0.5°	The First:
				A4



This document is the property of JQL Electronic Inc. It cannot be copied, duplicated, used for manufacturing purposes or communicated to third party as a whole or partly, without the written consent of JQL Electronic Inc.