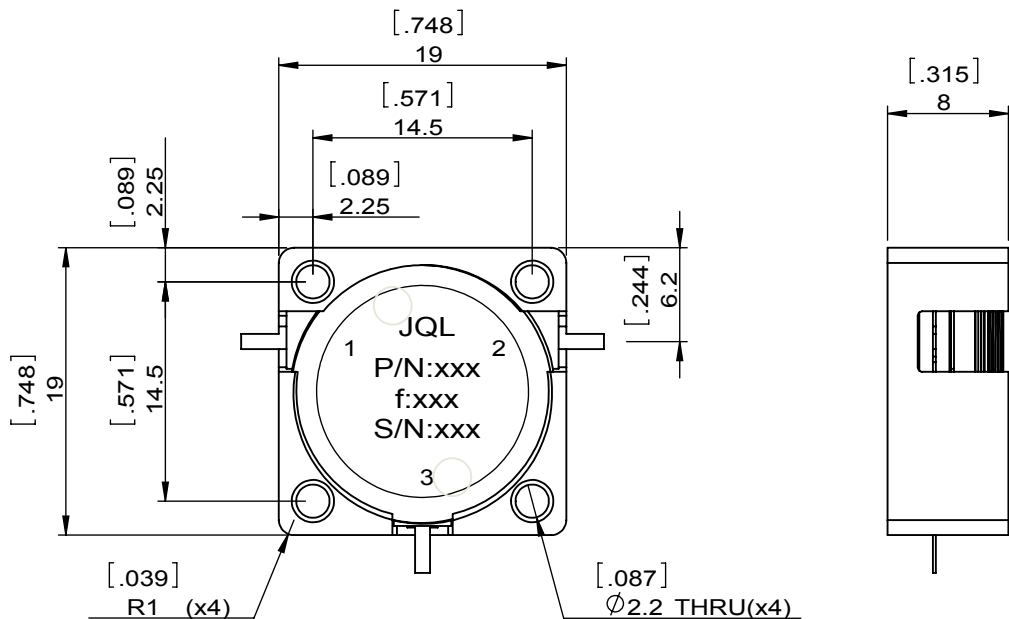
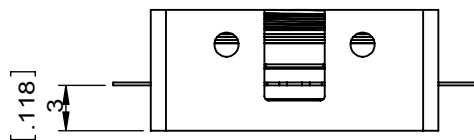
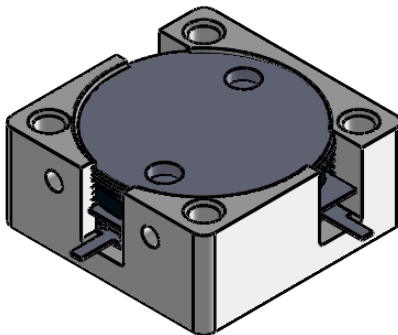


1		2		3		4		5		6			
Document No.	QR4-700-T-003	REV.	A/0	REV.	0	DESCRIPTION		REVISOR	Hu.Jiang	DATE	03.05.2019	APPROVED	HC.Qiu



SPECIFICATIONS	
Part's Number	JCD3190T4210SM10
Frequency(GHz)	3.190~4.210
Direction	CW
Insertion Loss(dB)MAX	0.3
Isolation(dB)MIN	18.0
Return Loss(dB)MIN	18.0
3rd IMD(dBc)MAX	-
Power FWD/REV/PK(Watt)	20/20/100
Operating Temperature(°C)	-40~+85
Storage Temperature(°C)	-
2nd/3rd Harmonic(dBc)	-
Termination/Attenuator(Watt/dB)	-
Tab(W×LG×THK)(mm[Inch])	1.0[.039]x2.5[.098]x0.2[.008]
Additional Notes	-

NOTES:

- 1.STANDARD INPUT/OUTPUT 50OHM IMPEDANCE
- 2.BEO FREE,LEAD FREE,NO Nd MATERIAL
- 3.RoHS COMPLIANT
- 4.S-PARAMETERS TO BE MEASURED BY CONECTING PORT 1 AND PORT 2 TO VNA,PORT 3 TO LOAD
- 5.LOAD RETURN LOSS IS 30dB OR HIGHER WHEN TUNING



This document is the property of JQL Electronic Inc. It cannot be copied, duplicated, used for manufacturing purposes or communicated to third party as a whole or partly, without the written consent of JQL Electronic Inc.

JQL JQL Electronic Inc				
MATERIAL: STEEL		DWG NO: JCD3190T4210SM10		
SURFACE TREATMENT: NICKEL PLATING		DWG BY:	Hu.Jiang	03.05.2019
DESCRIPTION: DROP-IN CIRCULATOR		CHK'D BY:		SCALE
		APPV'D BY:		2:1
		Unit: mm[inch]	Tolerance: Liner: ±0.25 Anguar: ±0.5°	The First:
				A4