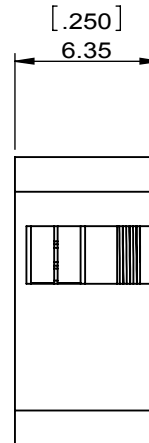
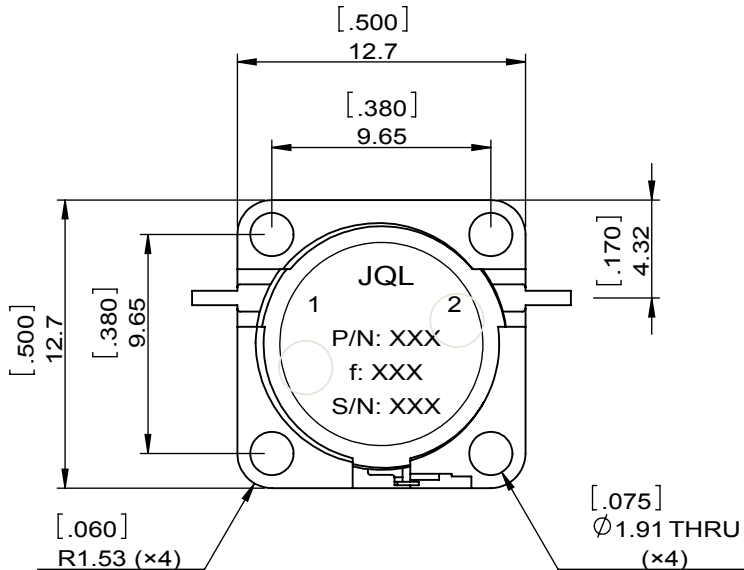
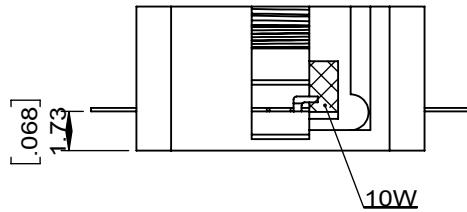
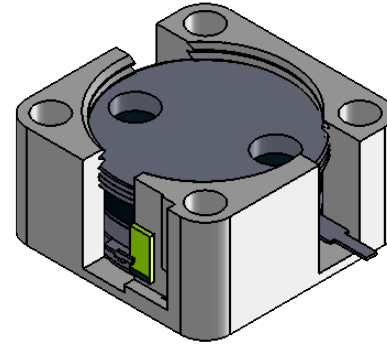


1	2
Document No.	QR4-700-T-003
REV.	A/0

3	4	5	6
REV.	DESCRIPTION	REVISOR	DATE
0		Hu.Jiang	05.21.2019
			APPROVED
			HC.Qiu



SPECIFICATIONS	
Part's Number	JID8000T12K0VM1
Frequency(GHz)	8.000~12.000
Direction	CW
Insertion Loss(dB)MAX	0.5
Isolation(dB)MIN	20.0
Return Loss(dB)MIN	19.0
3rd IMD(dBc)MAX	-
Power FWD/REV/PK(Watt)	5/5/-
Operating Temperature(°C)	-40~+85
Storage Temperature(°C)	
2nd/3rd Harmonic(dBc)	-
Termination/Attenuator(Watt/dB)	10/-
Tab(W×LG×THK)(mm[Inch])	.635[.03]×2.0[.078]×.20[.008]
Additional Notes	

<b>JQL</b> JQL Electronic Inc				
<b>MATERIAL:</b> STEEL		<b>DWG NO:</b> JID8000T12K0VM1		
<b>SURFACE TREATMENT:</b> NICKEL PLATING		DWG BY:	Hu.Jiang	05.21.2019
<b>DESCRIPTION:</b> DROP-IN ISOLATOR		CHK'D BY:		SCALE
		APPV'D BY:		3:1
		Unit: mm[inch]	Tolerance: Liner: ±0.25 Anguar: ±0.5°	The First: 
				A4



This document is the property of JQL Electronic Inc. It cannot be copied, duplicated, used for manufacturing purposes or communicated to third party as a whole or partly, without the written consent of JQL Electronic Inc.