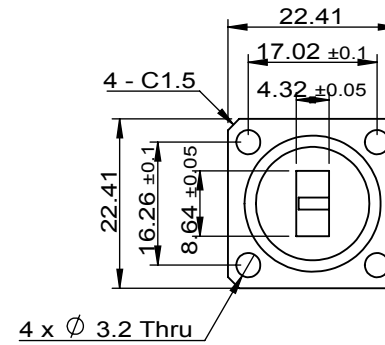
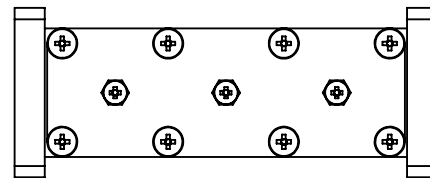
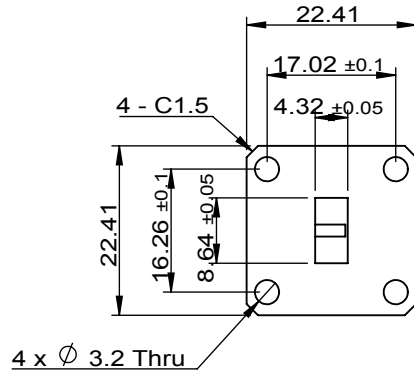



1		2		3		4		5		6	
Document No.	QR4-700-T-003					REV.	DESCRIPTION	REVISOR	DATE	APPROVED	
REV.	A/0					0		YL.Chen	06.18.2019	HC.Qiu	



ITEM	SPECIFICATIONS
Frequency(GHz)	25.5 ~27.0
Insertion Loss(dB)	0.6 Max
Return Loss(dB)	16 Min
Rejection(dB)	60 Min @ 24GHz 60 Min @ 29GHz
Notes	

JQL JQL Electronic Inc				
MATERIAL: AL6061-T6		DWG NO: JFCB25K5T27K0WR34		
SURFACE TREATMENT: Painted Black		DWG BY:	YL.Chen	06.18.2019
DESCRIPTION: Filter		CHK'D BY:		SCALE
		APPV'D BY:		1:2.5
		Unit: mm[inch]	Tolerance: Liner: ±0.25 Anguar: ±0.5°	The First: 
				A4



This document is the property of JQL Electronic Inc. It cannot be copied, duplicated, used for manufacturing purposes or communicated to third party as a whole or partly, without the written consent of JQL Electronic Inc.