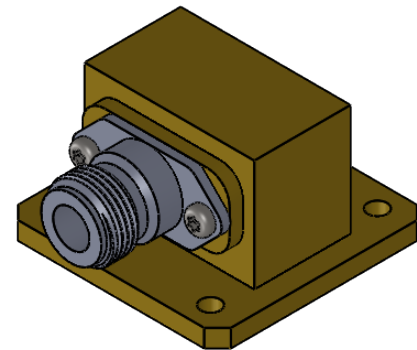
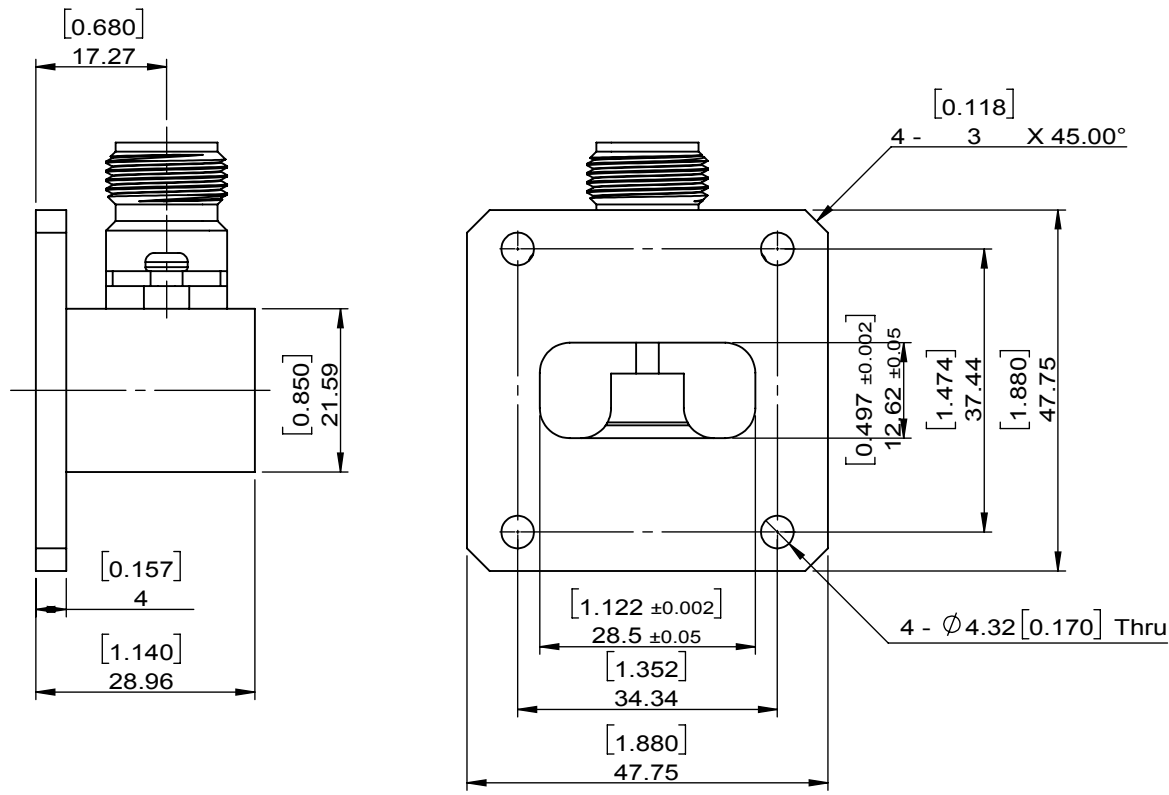


1		2		3		4		5		6	
Document No. QR4-700-T-003								REV.		DESCRIPTION	
REV. A/0								0		Y.L.Chen	
								09.29.2019		APPROVED HC.Qiu	



ITEM	SPECIFICATIONS
Frequency(GHz)	7.9~8.4
Return Loss(dB)	19 Min
Power(W)	200 Min CW
Temperature(°C)	-20~+65
Flange	UBR84
Connector	N Female
Notes	

JQL JQL Electronic Inc

MATERIAL:		DWG NO: JFAD7900T8400WR112			
SURFACE TREATMENT: Silver Plating		DWG BY:	Y.L.Chen	09.29.2019	SCALE
DESCRIPTION: WR229 to N Coax Adaptor		CHK'D BY:			1:4
		APPV'D BY:			
		Unit: mm[inch]	Tolerance: Liner: ±0.25 Anguar: ±0.5°	The First:	A4



This document is the property of JQL Electronic Inc. It cannot be copied, duplicated, used for manufacturing purposes or communicated to third party as a whole or partly, without the written consent of JQL Electronic Inc.