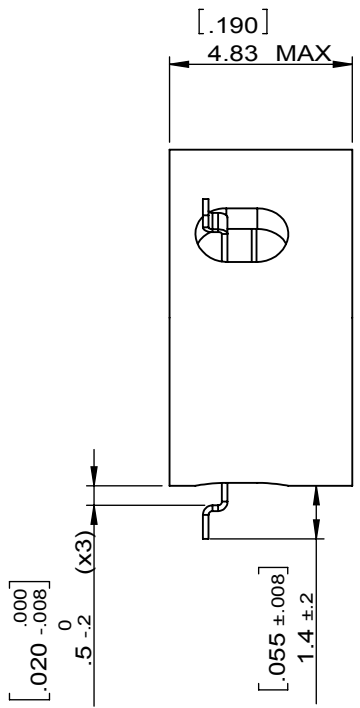
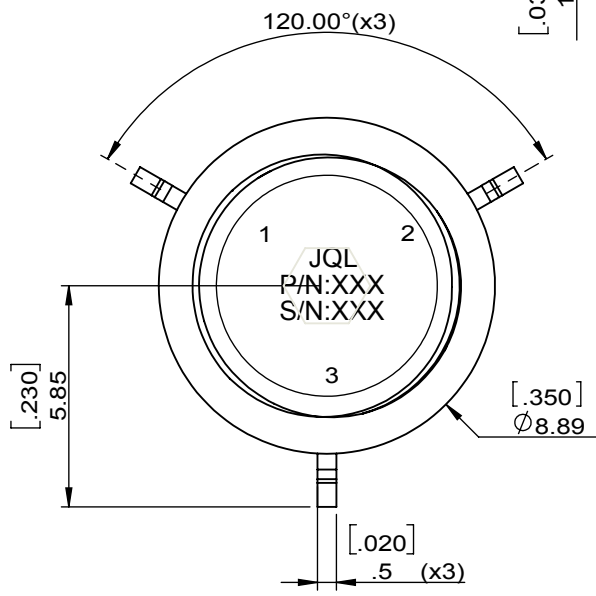
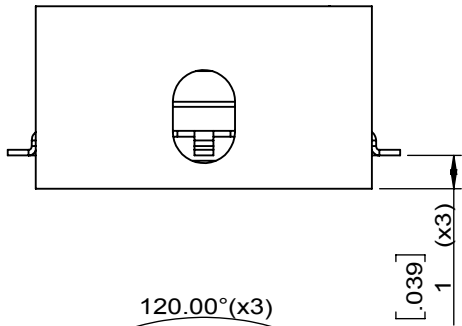
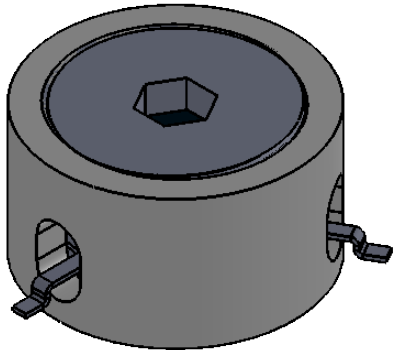


1		2		3		4		5		6	
Document No.	QR4-700-T-003	REV.	A/0	REV.	DESCRIPTION	REVISOR	DATE	APPROVED			
				0		Hu.Jiang	12.18.2019	HC.Qiu			



SPECIFICATIONS	
Part's Number	JCM16K0T18K0ZM5
Frequency(GHz)	16.000~18.000
Direction	CW
Insertion Loss(dB)MAX	0.7
Isolation(dB)MIN	16.0
Return Loss(dB)MIN	16.0
3rd IMD(dBc)MAX	-
Power FWD/REV/PK(Watt)	20/20/-
Operating Temperature(°C)	-40~+80
Storage Temperature(°C)	-
2nd/3rd Harmonic(dBc)	-
Termination/Attenuator(Watt/dB)	-
Additional Notes	FILL ALL RTV AT 3 PORTS

<b>JQL</b> JQL Electronic Inc				
<b>MATERIAL:</b> STEEL		<b>DWG NO:</b> JCM16K0T18K0ZM5		
<b>SURFACE TREATMENT:</b> GOLD PLATING		DWG BY:	Hu.Jiang	12.18.2019
<b>DESCRIPTION:</b> SMT CIRCULATOR		CHK'D BY:		SCALE
		APPV'D BY:		5:1
Unit: mm[inch]	Tolerance: Liner: ±0.1 Anguar: ±0.5°	The First:		A4



This document is the property of JQL Electronic Inc. It cannot be copied, duplicated, used for manufacturing purposes or communicated to third party as a whole or partly, without the written consent of JQL Electronic Inc.