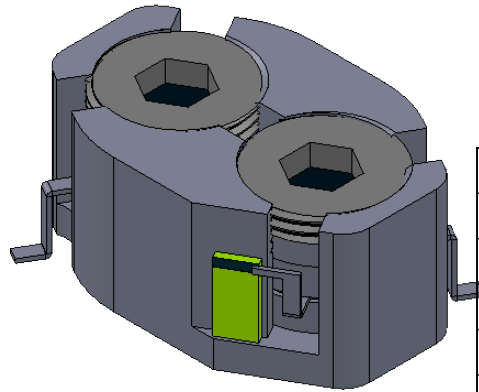
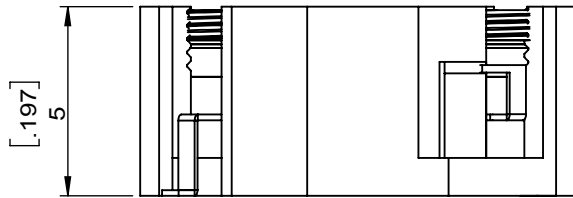
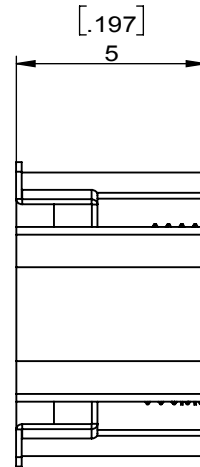
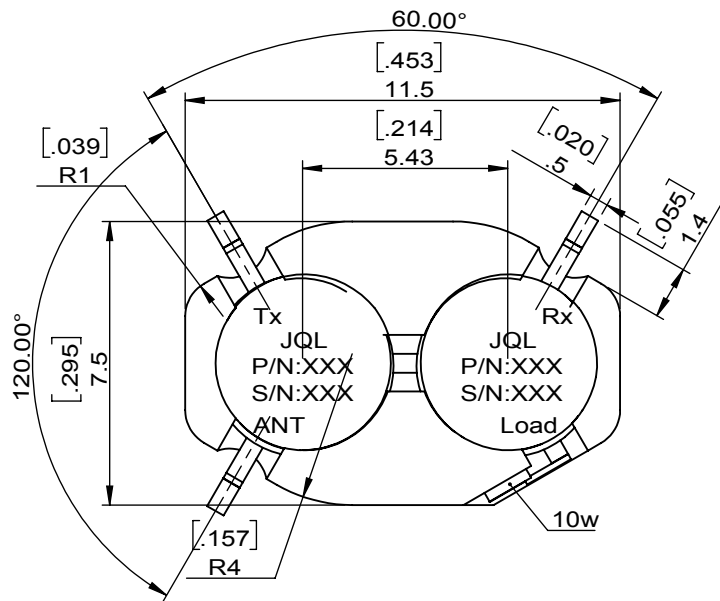


1		2		3		4		5		6			
Document No.	QR4-700-T-003	REV.	A/0	REV.	0	DESCRIPTION		REVISOR	Hu.Jiang	DATE	12.17.2019	APPROVED	HC.Qiu



SPECIFICATIONS	
Part's Number	JC2M9000T10K5XM1
Frequency(GHz)	9.000~10.500
Direction	CW
Insertion Loss(dB)MAX	0.5@Tx - ANT 0.9@ANT-Rx
Isolation(dB)MIN	20.0@ANT-Tx&Tx-Rx 33.0@Rx-ANT
Return Loss(dB)MIN	19.0
3rd IMD(dBc)MAX	-
Power FWD/REV/PK(Watt)	10/10/-
Operating Temperature(°C)	-40~+85
Storage Temperature(°C)	-
2nd/3rd Harmonic(dBc)	-
Termination/Attenuator(Watt/dB)	-
Tab(W×LG×THK)(mm[Inch])	
Additional Notes	-



This document is the property of JQL Electronic Inc. It cannot be copied, duplicated, used for manufacturing purposes or communicated to third party as a whole or partly, without the written consent of JQL Electronic Inc.

<b>JQL JQL Electronic Inc</b>				
<b>MATERIAL:</b> STEEL		<b>DWG NO:</b> JC2M9000T10K5XM1		
<b>SURFACE TREATMENT:</b> SILVER PLATING		DWG BY:	Hu.Jiang	12.17.2019
<b>DESCRIPTION:</b> dual SMT CIRCULATOR		CHK'D BY:		SCALE
		APPV'D BY:		5:1
Unit: mm[inch]	Tolerance: Liner: ±0.25 Anguar: ±0.5°	The First:		A4