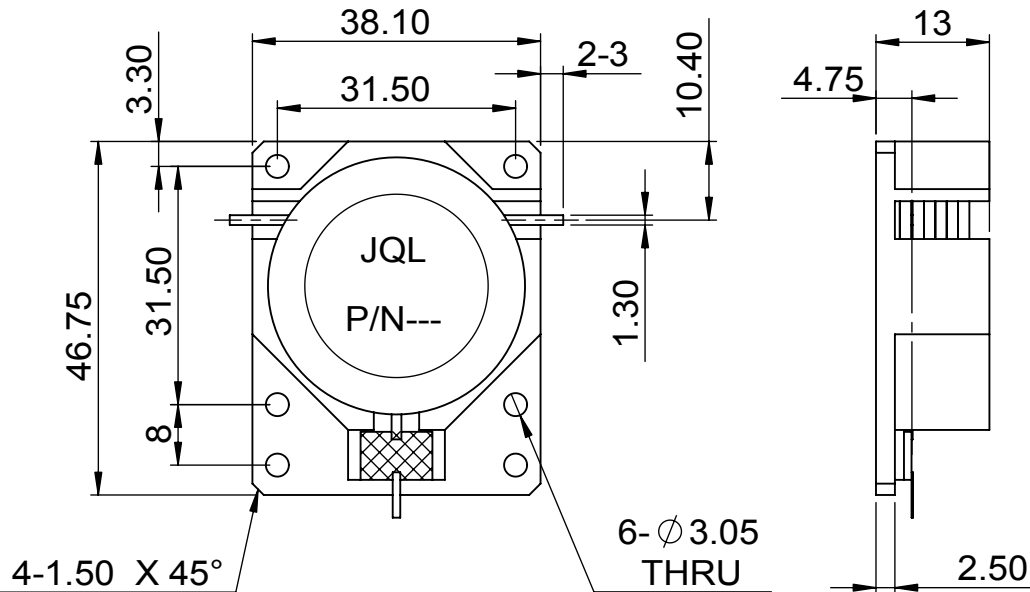
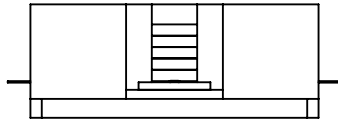
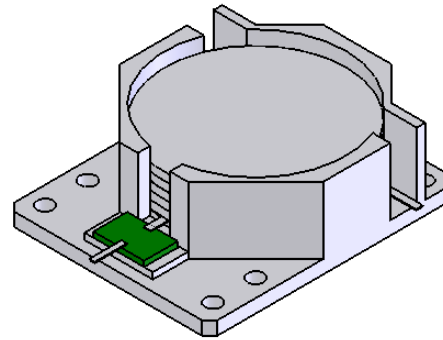


Stock Number
402010090

REV.	DESCRIPTION	REVISOR	DATE	APPROVE
0		MH	03.22.10	CH
1	Change the Specification	MH	03.22.10	CH
2	Change the heigh and add the hole	MH	07.23.12	CH

SPECIFICATION

Part's Number: JID0380T0420KM6A2
 Frequency: 0.380~0.420GHz
 Direction: CW
 Insertion Loss: 0.3dB MAX.
 Isolation: 20dB MIN.
 VSWR: 1.25:1 MAX.
 Power FWD/REV: 100W/60W
 Temperature: -30 °C~+75 °C
 IMD: -70dBc@2x10W
 SPACING 5MHz
 Attenuation: 100W 20dB



This document is the property of JQL Electronic Inc.
 It cannot be copied, duplicated, used for manufacturing purposes
 or communicated to third party as a whole or partly,
 without the written consent of JQL Electronic Inc.

JQL JQL Electronic Inc

500 Lake Cook Road, Suite 350 Tel : 1(888)236-9828
 Deerfield, IL 60015, USA Fax: 1(630)823-2902

MATERIAL:
Stainless Steel

SURFACE TREATMENT:
Nickel Plating

DESCRIPTION:
DROP-IN
ISOLATOR

DWG NO.		SCALE:	
JID0380T0420KM6A2		1:1	
DWG BY:	NAME	DATE	SCALE:
CHK'D BY:	MH	03.22.10	
APPV'D BY:	FW	03.22.10	
Unit: mm	CH	03.22.10	A4
TOLERANCE:		Type Of Projection	
Liner: ±0.1mm Angular: ±0.5°			

WEIGHT: