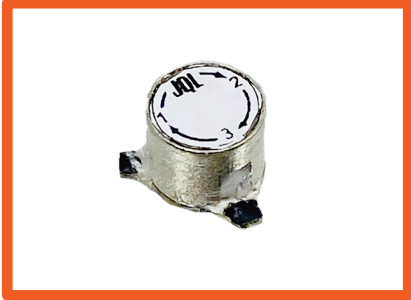


X Band Surface Mount Circulator

JCM8000T11K0ZM6R

Description:

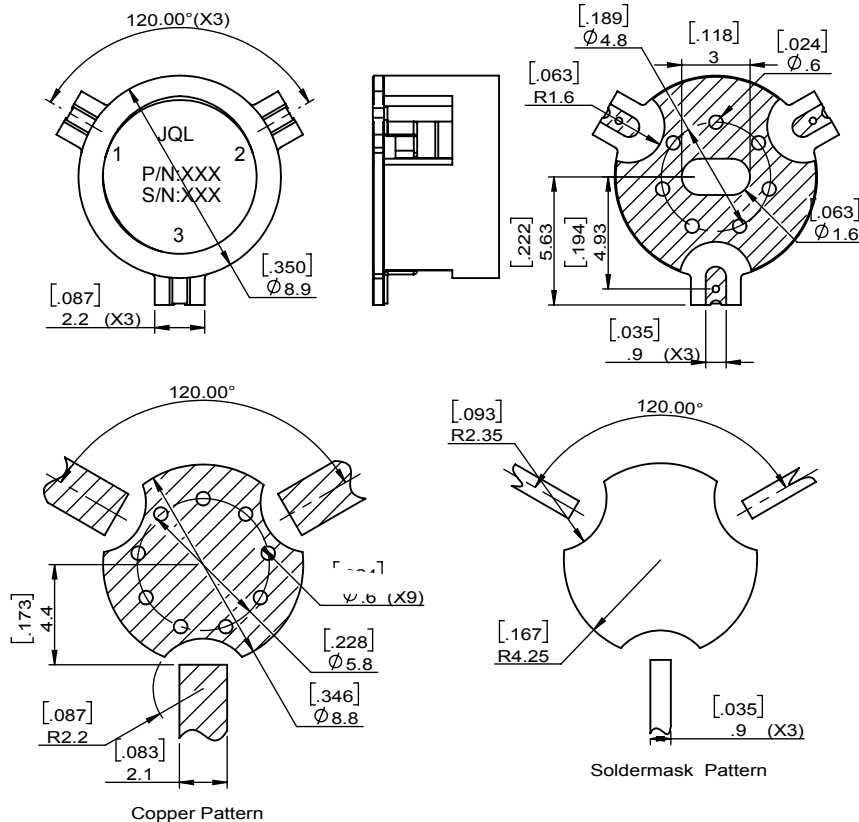


JCM8000T11K0ZM6R is a broadband surface mount circulator that can handle 60W peak power. Over 3 GHz bandwidth, the device has good electrical performance and temperature stability.

Electrical Specification

Part Number	JCM8000T11K0ZM6R
Frequency (GHz)	8.000~11.000
Insertion Loss(dB)MAX	0.7
Isolation(dB)MIN	16.0
Return Loss(dB)MIN	16.0
Operating Temperature	-20°C~70°C
Power FWD/REV/PK(Watt)	-/-/60 DC = 30% max

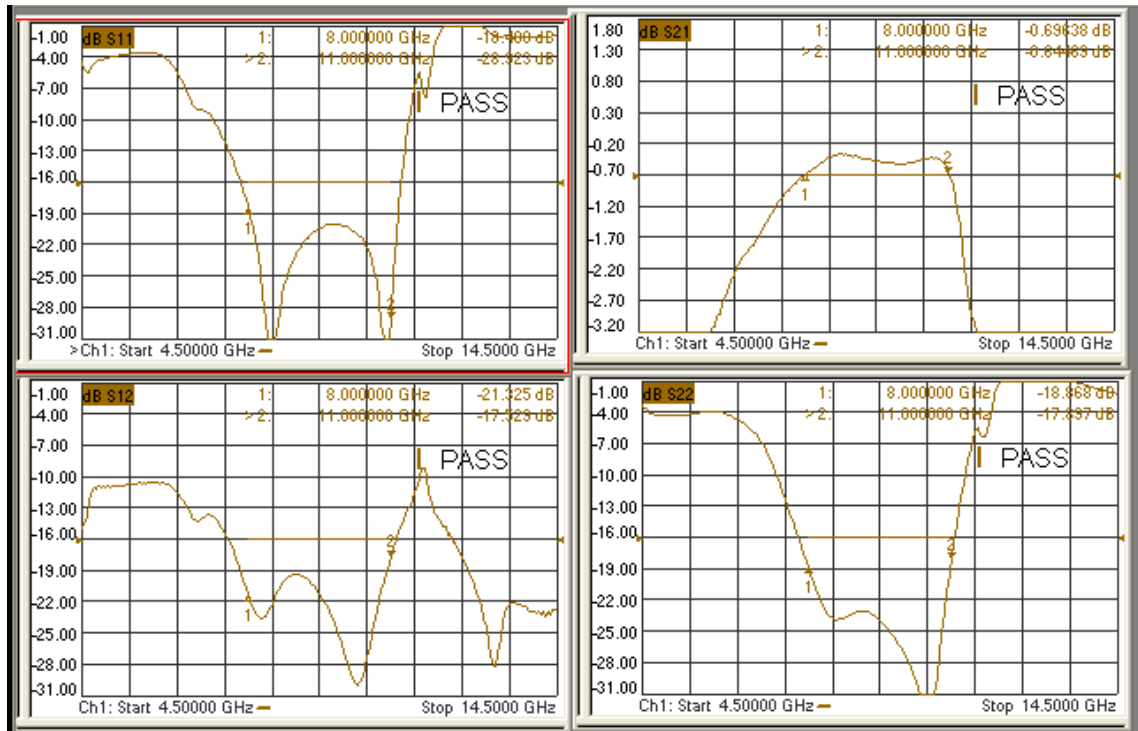
Outline



X Band Surface Mount Circulator

JCM8000T11K0ZM6R

Test Data



Features

- Broad bandwidth and higher isolation
- High peak power handling capability
- RoHS & REACH compliant

Applications

- Military Radars
- Power amplifiers