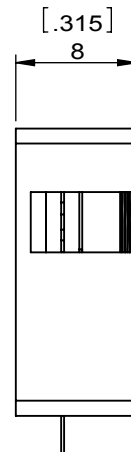
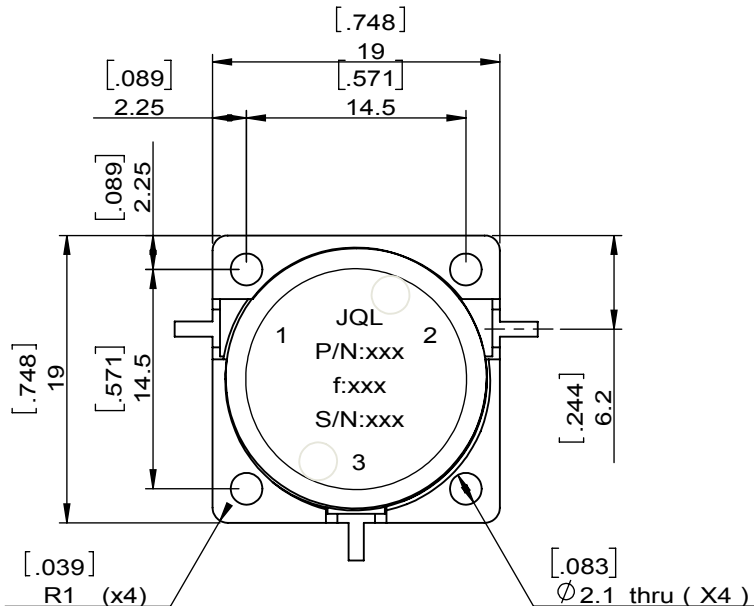
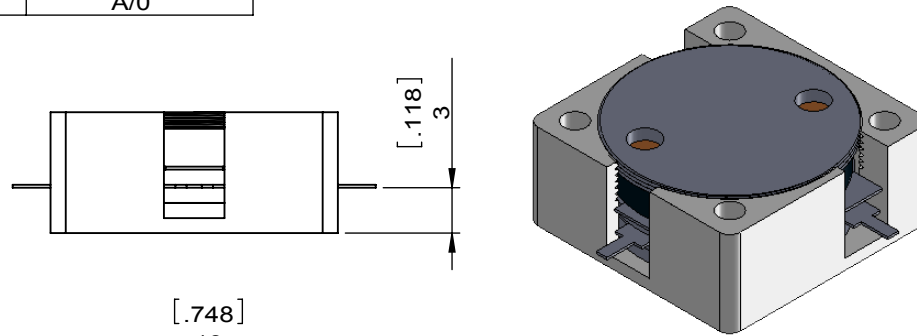


1		2		3		4		5		6			
Document No.	QR4-700-T-003	REV.	A/0	REV.	0	DESCRIPTION		REVISOR	Hu.Jiang	DATE	07.20.2020	APPROVED	HC.Qiu



SPECIFICATIONS	
Part's Number	JCD0617T0652SM5
Frequency(GHz)	0.617~0.652
Direction	CW
Insertion Loss(dB)MAX	0.30@25°C 0.35@-40~+100°C
Isolation(dB)MIN	20.0@25°C 18.0@-40~+100°C
Return Loss(dB)MIN	20.0@25°C 18.0@-40~+100°C
3rd IMD(dBc)MAX	-65@2X10W tones spacing 5MHz
Power FWD/REV/PK(Watt)	100/50/-
Operating Temperature(°C)	-40~+100
Storage Temperature(°C)	-
2nd/3rd Harmonic(dBc)	-
Termination/Attenuator(Watt/dB)	
Tab(W×LG×THK)(mm[Inch])	1.0[.039]x2.5[.098]x0.2[.008]
Additional Notes	-

NOTES:

- 1.STANDARD INPUT/OUTPUT 50OHM IMPEDANCE
- 2.BEO FREE,LEAD FREE,NO Nd MATERIAL
- 3.RoHS COMPLIANT
- 4.S-PARAMETERS TO BE MEASURED BY CONECTING PORT 1 AND PORT 2 TO VNA, PORT 3 TO LOAD
- 5.LOAD RETURN LOSS IS 30dB OR HIGHER WHEN TUNING



This document is the property of JQL Electronic Inc. It cannot be copied, duplicated, used for manufacturing purposes or communicated to third party as a whole or partly, without the written consent of JQL Electronic Inc.

JQL JQL Electronic Inc				
MATERIAL: STEEL		DWG NO: JCD0617T0652SM5		
SURFACE TREATMENT: NICKEL PLATING		DWG BY:	Hu.Jiang	07.20.2020
DESCRIPTION: DROP-IN CIRCULATOR		CHK'D BY:		SCALE
		APPV'D BY:		2:1
		Unit: mm[inch]	Tolerance: Liner: ±0.25 Anguar: ±0.5°	The First:
				A4