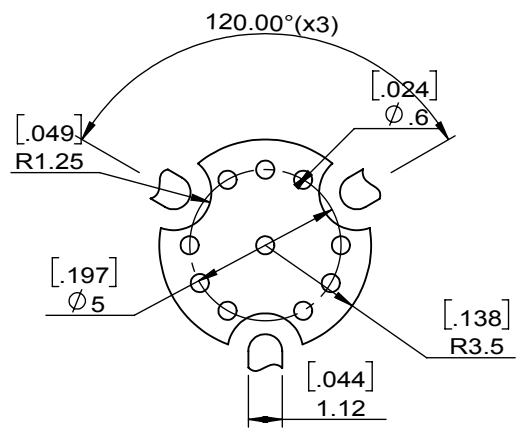
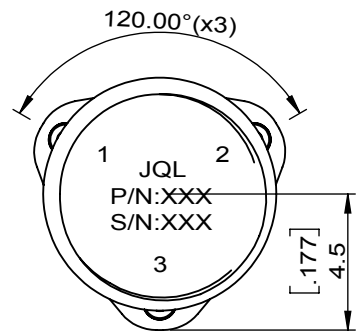
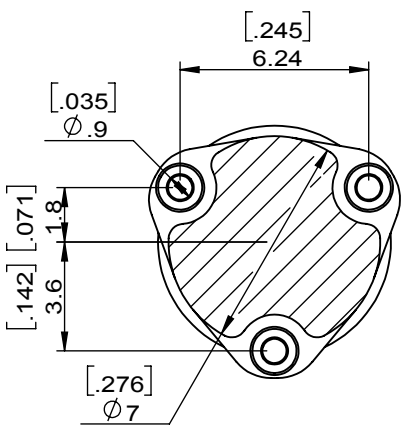
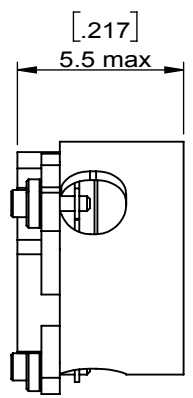
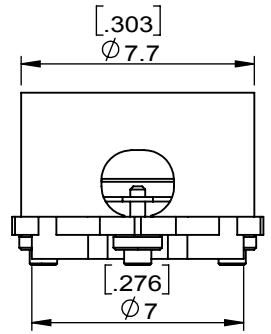
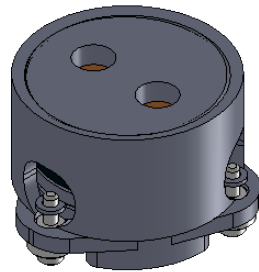
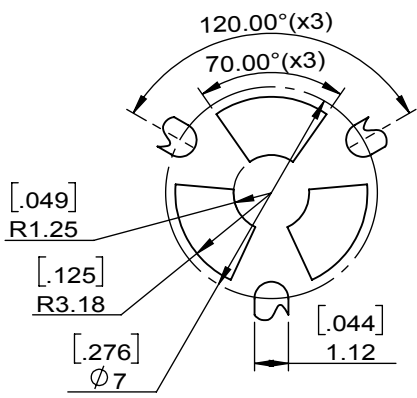


1	2
Document No.	QR4-700-T-003
REV.	A/0

4	5	6		
REV.	DESCRIPTION	REVISOR	DATE	APPROVED
0		Hu.Jiang	07.31.2020	HC.Qiu



Copper Pattern



Soldermask Pattern

SPECIFICATIONS	
Part's Number	JCM2570T2620LM1R
Frequency(GHz)	2.570~2.620
Direction	CW
Insertion Loss(dB)MAX	0.30@+25°C 0.35@-40+100°C
Isolation(dB)MIN	22.0@+25°C 20.0@-40~+100°C
Return Loss(dB)MIN	22.0@+25°C 20.0@-40~+100°C
3rd IMD(dBc)MAX	-55@2X37dBm
Power FWD/REV/PK(Watt)	10/10/-
Operating Temperature(°C)	-40~+100
Storage Temperature(°C)	-
2nd/3rd Harmonic(dBc)	
Additional Notes	

JQL JQL Technologies Corporation				
MATERIAL: STEEL		DWG NO: JCM2570T2620LM1R		
SURFACE TREATMENT: SILVER PLATING		DWG BY:	Hu.Jiang	07.31.2020
DESCRIPTION: SMT CIRCULATOR		CHK'D BY:		SCALE
		APPV'D BY:		4:1
		Unit: mm[inch]	Tolerance: Liner: ±0.25 Anguar: ±0.5°	The First:
				A4



This document is the property of JQL Technologies Corporation. It cannot be copied, duplicated, used for manufacturing purposes or communicated to third party as a whole or partly, without the written consent of JQL Technologies Corporation.

WEIGHT: