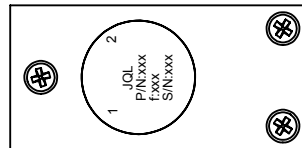
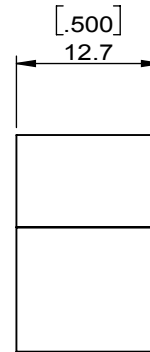
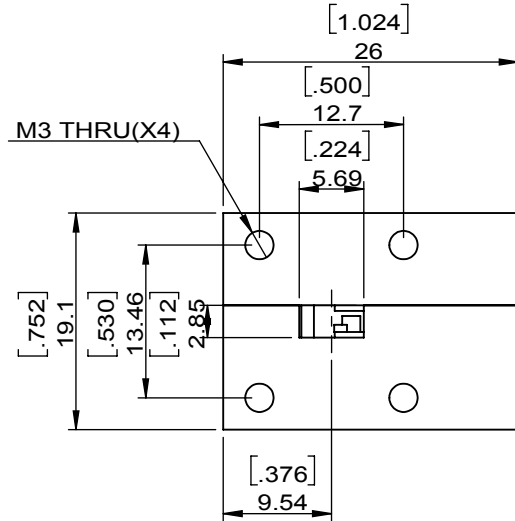
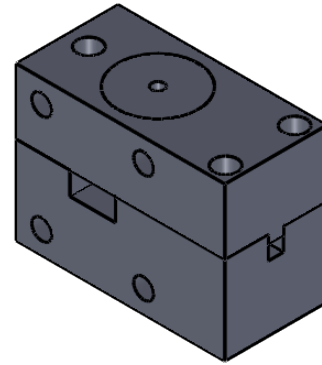


1	2
Document No.	QR4-700-T-003
REV.	A/0

4	5	6		
REV.	DESCRIPTION	REVISOR	DATE	APPROVED
0		Hu.Jiang	11.03.2020	HC.Qiu



SPECIFICATIONS	
Part's Number	JIWR22-12.7S-43K5T45K5
Frequency(GHz)	43.50~45.50
Direction	-
Insertion Loss(dB)MAX	0.6@+25°C 0.7@-20~+65°C
Isolation(dB)MIN	20.0@+25°C 18.0@-20~+65°C
Return Loss(dB)MIN	19.0@+25°C 18.0@-20~+65°C
3rd IMD(dBc)MAX	-
Power FWD/REV/PK(Watt)	1/1/-
Operating Temperature(°C)	-20~+65
Storage Temperature(°C)	-
2nd/3rd Harmonic(dBc)	-
Termination/Attenuator(Watt/dB)	-
Tab(W×LG×THK)(mm[Inch])	-
Additional Notes	-

<b>JQL JQL Technologies Corporation</b>				
<b>MATERIAL:</b> AL 6061		<b>DWG NO:</b> JIWR22-12.7S-43K5T45K5		
<b>SURFACE TREATMENT:</b> CHEM FILM		DWG BY:	Hu.Jiang	11.03.2020
<b>DESCRIPTION:</b> WAVEGUIDE ISOLATOR		CHK'D BY:		SCALE
		APPV'D BY:		3:2
		Unit: mm[inch]	Tolerance: Liner: ±0.25 Anguar: ±0.5°	The First: 
				A4



This document is the property of JQL Technologies Corporation. It cannot be copied, duplicated, used for manufacturing purposes or communicated to third party as a whole or partly, without the written consent of JQL Technologies Corporation.