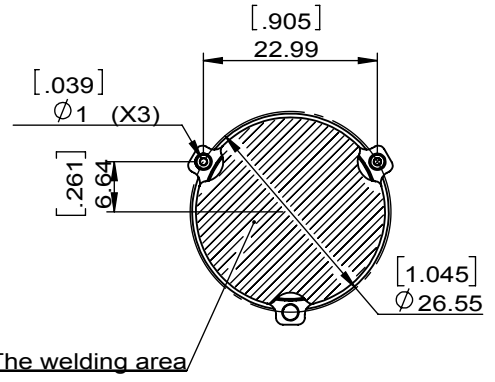
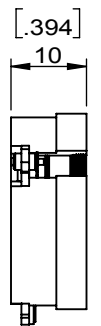
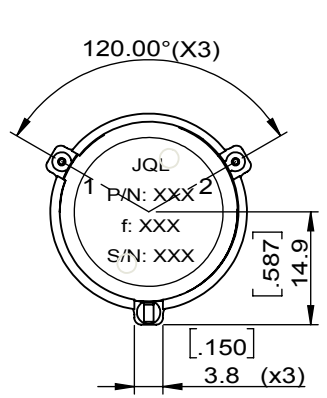
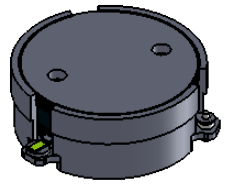
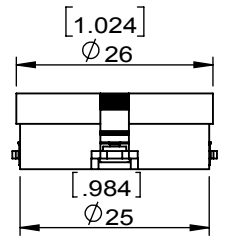
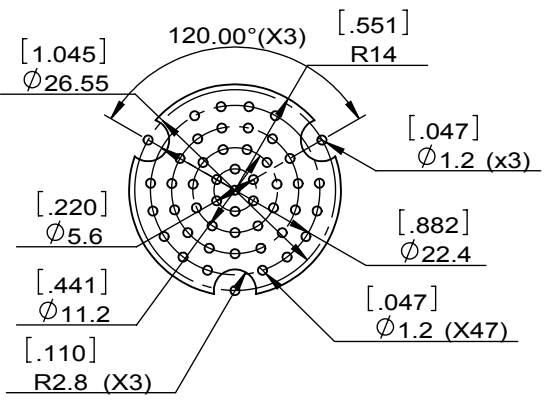


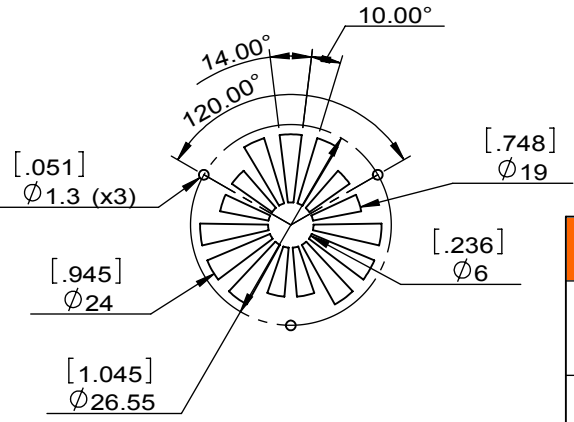
1		2		3		4		5		6	
Document No.	QR4-700-T-003	REV.	A/0	REV.	DESCRIPTION	REVISOR	DATE	APPROVED			
				0		Hu.Jiang	01.15.2021	HC.Qiu			



SPECIFICATIONS	
Part's Number	JIM0420T0450PN1R
Frequency(GHz)	0.420~0.450
Direction	CW
Insertion Loss(dB)MAX	0.4
Isolation(dB)MIN	20
Return Loss(dB)MIN	20
3rd IMD(dBc)MAX	--
Power FWD/REV/PK(Watt)	8/8/20
Operating Temperature(°C)	0~+80
Storage Temperature(°C)	
2nd/3rd Harmonic(dBc)	-
Termination/Attenuator(Watt/dB)	15/-
Tab(W×LG×THK)(mm[Inch])	-
Additional Notes	



Copper Pattern



Soldermast Pattern

JQL JQL Technologies Corporation				
MATERIAL: STEEL		DWG NO: JIM0420T0450PN1R		
SURFACE TREATMENT: SILVER PLATING		DWG BY:	Hu.Jiang	01.15.2021
DESCRIPTION: SMT ISOLATOR		CHK'D BY:		SCALE
		APPV'D BY:		1:1
		Unit: mm[inch]	Tolerance: Liner: ±0.25 Anguar: ±0.5°	The First:
				A4



This document is the property of JQL Technologies Corporation. It cannot be copied, duplicated, used for manufacturing purposes or communicated to third party as a whole or partly, without the written consent of JQL Technologies Corporation.