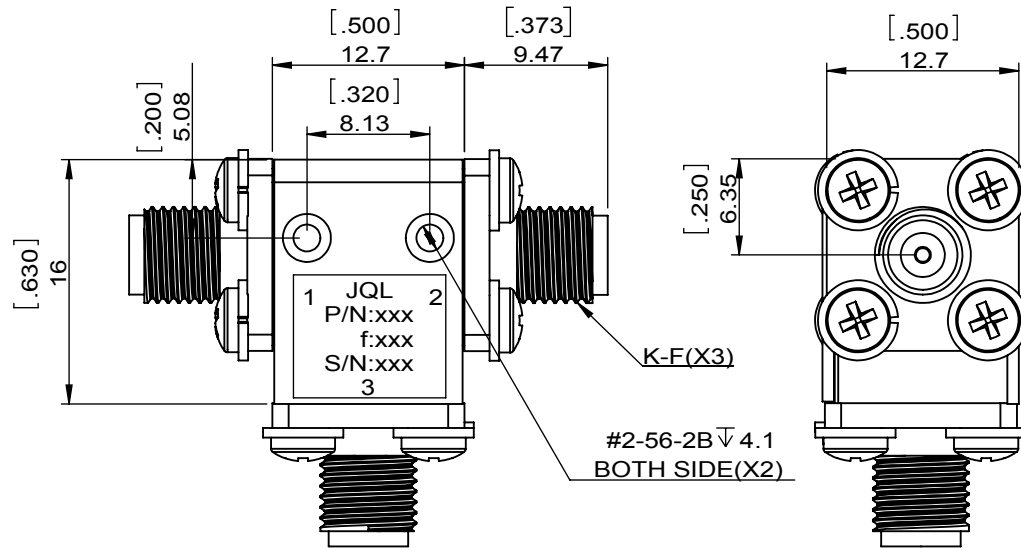
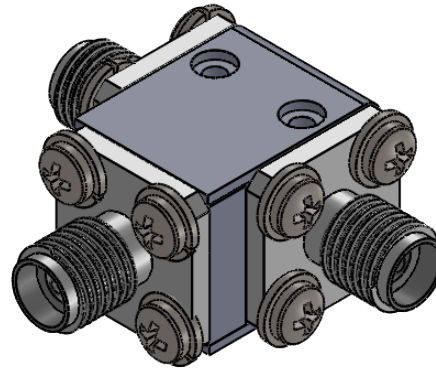
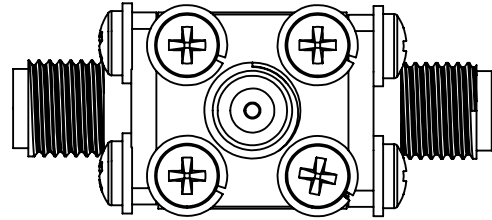


1	2
Document No.	QR4-700-T-003
REV.	A/0

4	5	6		
REV.	DESCRIPTION	REVISOR	DATE	APPROVED
0		Hu.Jiang	11.06.2020	HC.Qiu



SPECIFICATIONS	
Part's Number	JCC27K0T31K0K1
Frequency(GHz)	27.000~31.000
Direction	CW
Insertion Loss(dB)MAX	0.8@+25°C 0.9@-40~+85°C
Isolation(dB)MIN	20.0@+25°C 18.0@-40~+85°C
Return Loss(dB)MIN	20.0@+25°C 18.0@-40~+85°C
EMI SHIELDING(dBc)	-
Power FWD/REV/PK(Watt)	20/10/30
Operating Temperature(°C)	-40~+85
Storage Temperature(°C)	
2nd/3rd Harmonic(dBc)	-
Termination/Attenuator(Watt/dB)	-
Tab(W×LG×THK)(mm[Inch])	
Additional Notes	-

JQL JQL Technologies Corporation				
MATERIAL: STEEL		DWG NO: JCC27K0T31K0K1		
SURFACE TREATMENT: NICKEL PLATING		DWG BY:	Hu.Jiang	11.06.2020
DESCRIPTION: COAXIAL CIRCULATOR		CHK'D BY:		SCALE
		APPV'D BY:		2:1
Unit: mm[inch]	Tolerance: Liner: ±0.25 Anguar: ±0.5°	The First:		A4



This document is the property of JQL Technologies Corporation. It cannot be copied, duplicated, used for manufacturing purposes or communicated to third party as a whole or partly, without the written consent of JQL Technologies Corporation.