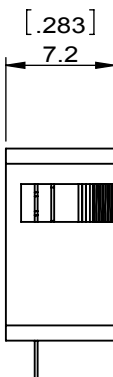
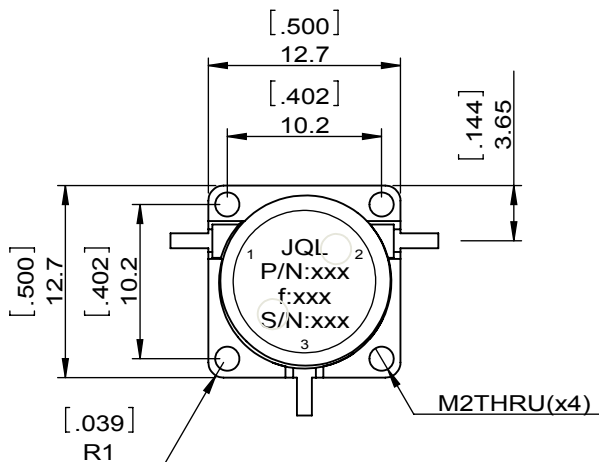
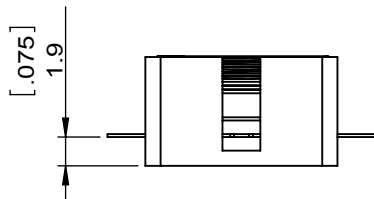
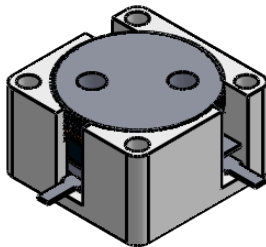


1		2		3		4		5		6	
Document No.	QR4-700-T-003	REV.	A/0	REV.	DESCRIPTION	REVISOR	DATE	APPROVED			
				0		X.S	08.24.2021	HC.Qiu			



SPECIFICATIONS	
Part's Number	JCD0870T0880VM5
Frequency(GHz)	0.870~0.880
Direction	CW
Insertion Loss(dB)MAX	0.38 @+25°C 0.45 @-20~+70°C
Isolation(dB)MIN	20.0 @+25°C 18.0 @-20~+70°C
Return Loss(dB)MIN	20.0 @+25°C 18.0 @-20~+70°C
3rd IMD(dBc)MAX	-65 @2x40dBm
Power FWD/REV/PK(Watt)	50/50/-
Operating Temperature(°C)	-20~+70
Storage Temperature(°C)	-
2nd/3rd Harmonic(dBc)	-
Termination/Attenuator(Watt/dB)	-
Tab(W×LG×THK)(mm[Inch])	1.0[.039]x2.5[.098]x0.2[.008]
Additional Notes	-

**NOTES:**

- 1.STANDARD INPUT/OUTPUT 50OHM IMPEDANCE
- 2.BEO FREE,LEAD FREE,NO Nd MATERIAL
- 3.RoHS COMPLIANT
- 4.S-PARAMETERS TO BE MEASURED BYCONNECTING PORT 1 AND PORT 2 TO VNA,PORT 3 TO LOAD
- 5.LOAD RETURN LOSS IS 30dB OR HIGHER WHEN TUNING



This document is the property of JQL Technologies Corporation. It cannot be copied, duplicated, used for manufacturing purposes or communicated to third party as a whole or partly, without the written consent of JQL Technologies Corporation.

<b>JQL JQL Technologies Corporation</b>				
<b>MATERIAL:</b> STEEL		<b>DWG NO:</b> JCD0870T0880VM5		
<b>SURFACE TREATMENT:</b> NICKEL PLATING		DWG BY:	X.S	08.24.2021
<b>DESCRIPTION:</b> DROP IN CIRCULATOR		CHK'D BY:		SACLE
		APPV'D BY:		2:1
Unit: mm[inch]		Tolerance: Liner: ±0.25 Anguar: ±0.5°	The First:	A4