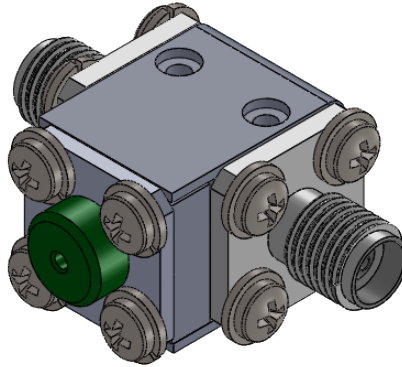
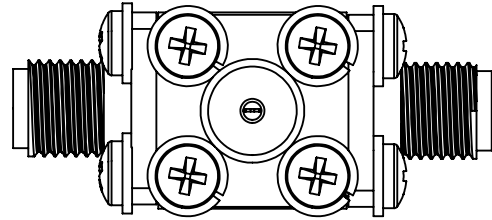
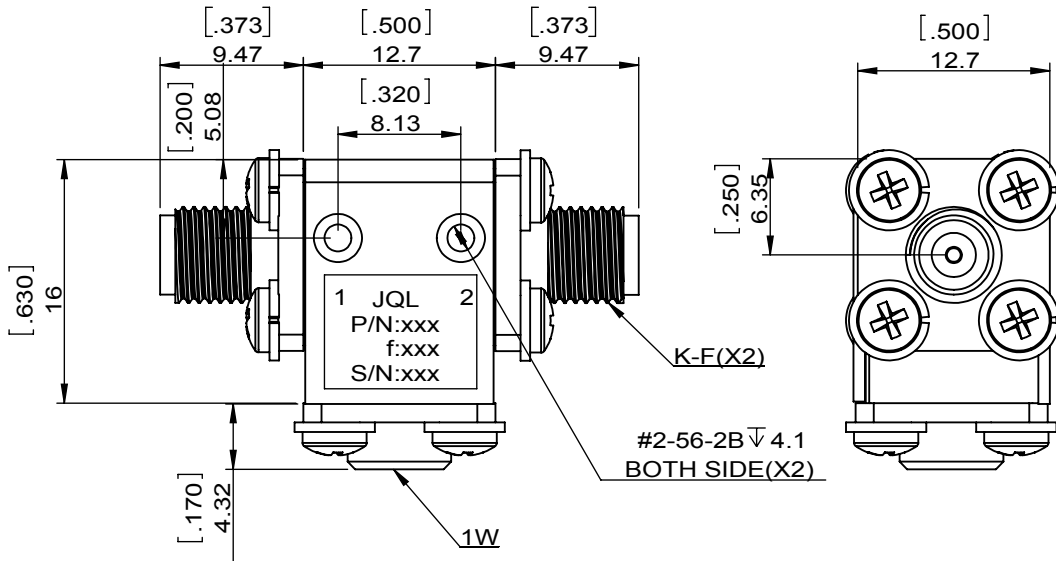


1		2		3		4		5		6	
Document No.	QR4-700-T-003	REV.	A/0	REV.	DESCRIPTION	REVISOR	DATE	APPROVED			
				0		Hu.Jiang	12.21.2020	HC.Qiu			



SPECIFICATIONS	
Part's Number	JIC27K0T31K0K0
Frequency(GHz)	27.000~31.00
Direction	CW
Insertion Loss(dB)MAX	0.7
Isolation(dB)MIN	19.0
Return Loss(dB)MIN	19.0
3rd IMD(dBc)MAX	
Power FWD/REV/PK(Watt)	2/1/-
Operating Temperature(°C)	-20~+70
Storage Temperature(°C)	
2nd/3rd Harmonic(dBc)	-
Termination/Attenuator(Watt/dB)	1W
Tab(W×LG×THK)(mm[Inch])	
Additional Notes	-



This document is the property of JQL Technologies Corporation. It cannot be copied, duplicated, used for manufacturing purposes or communicated to third party as a whole or partly, without the written consent of JQL Technologies Corporation.

JQL JQL Technologies Corporation				
MATERIAL: STEEL		DWG NO: JIC27K0T31K0K0		
SURFACE TREATMENT: NICKEL PLATING		DWG BY:	Hu.Jiang	12.21.2020
DESCRIPTION: COAXIAL ISOLATOR		CHK'D BY:		SCALE
		APP'V'D BY:		2:1
		Unit: mm[inch]	Tolerance: Liner: ±0.25 Anguar: ±0.5°	The First:
				A4