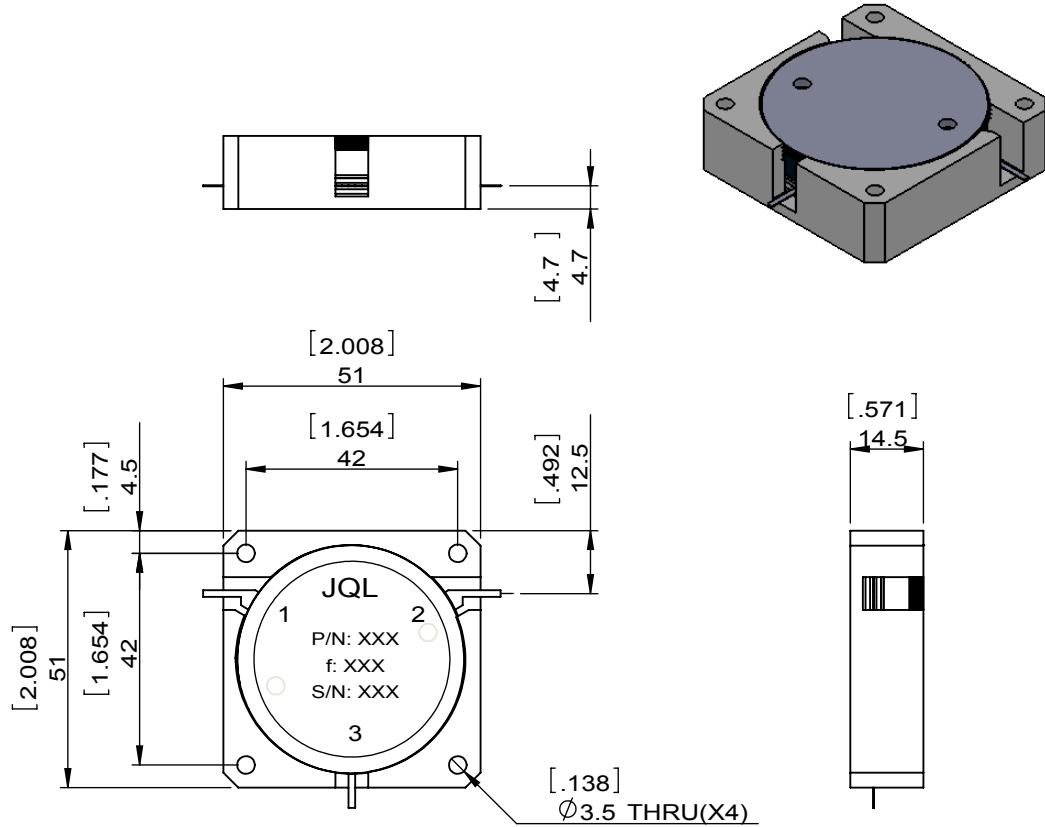


1		2		3		4		5		6		
Document No.	QR4-700-T-003							REV.	DESCRIPTION	REVISOR	DATE	APPROVED
REV.	A/0							0		J.Z	07.26.2022	HC.Qiu



SPECIFICATIONS	
Part's Number	JCD0205T0230UM40
Frequency(GHz)	0.205~0.230
Direction	CW
Insertion Loss(dB)MAX	0.7/0.5Typ
Isolation(dB)MIN	18.0/21.0Typ
Return Loss(dB)MIN	18.0/21.0Typ
3rd IMD(dBc)MAX	-
Power FWD/REV/PK(Watt)	400/400/1000
Operating Temperature(°C)	-20~+85
Storage Temperature(°C)	-40~+95
2nd/3rd Harmonic(dBc)	-
Termination/Attenuator(Watt/dB)	-
Tab(W×LG×THK)(mm[Inch])	1.27[.05]×4.0[.157]×0.2[.008]
Additional Notes	-

JQL JQL Technologies Corporation.				
MATERIAL: STEEL		DWG NO: JCD0205T0230UM40		
SURFACE TREATMENT: NICKEL PLATING		DWG BY:	J.Z	07.26.2022
DESCRIPTION: DROP-IN CIRCULATOR		CHK'D BY:		SCALE
		APPV'D BY:		2:3
		Unit: mm[inch]	Tolerance: Liner: ±0.25 Anguar: ±0.5°	The First:
				A4



This document is the property of JQL Technologies Corporation. It cannot be copied, duplicated, used for manufacturing purposes or communicated to third party as a whole or partly, without the written consent of JQL Technologies Corporation.