

S Band Drop-In Circulator

JCD3400T4000VM2

Description:

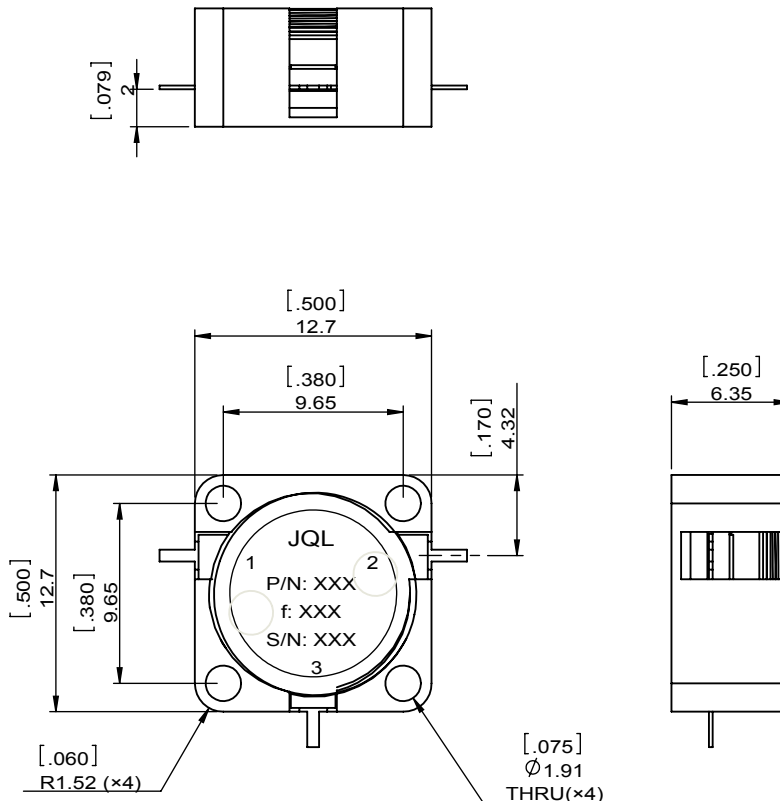


JCD3400T4000VM2 is a drop-in circulator in the frequency 3.450~4.000 GHz. The device is extremely stable over the temperature range of -40°C to +85°C, with maximum insertion loss of 0.35dB and minimum return loss of 21.0dB. It can handle CW Power FWD/REV/PK(Watt) of 20/20/-

Electrical Specification

Part Number	JCD3400T4000VM2
Frequency (GHz)	3.450~4.000
Insertion Loss(dB)MAX	0.35
Isolation(dB)MIN	21.0
Return Loss(dB)MIN	21.0
Operating Temperature	-40°C~+85°C
Power FWD/REV/PK(Watt)	20/20/-
Tab(W×LG×THK)(mm[Inch])	1.44[.0567]×8.0[.315]×.15[.006]

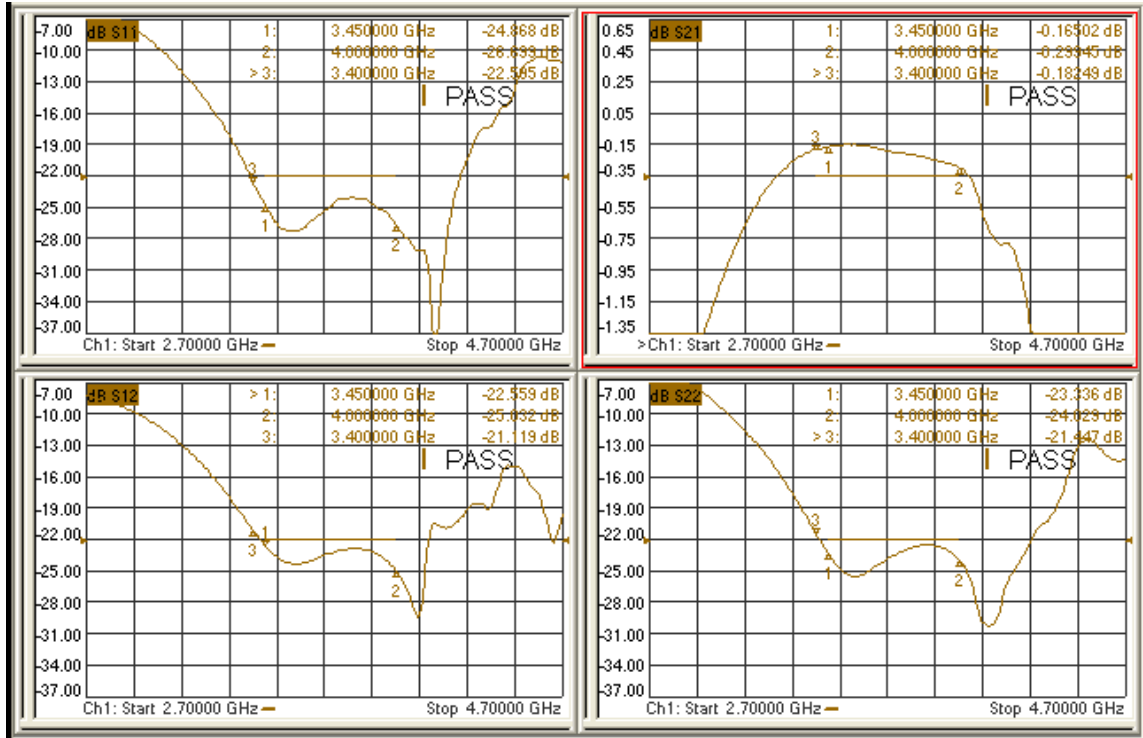
Outline



S Band Drop-In Circulator

JCD3400T4000VM2

Test Data



Applications

- Radar