

Drop-In Circulator, 6~18Ghz

JCD6000T18K0VM2

Description:

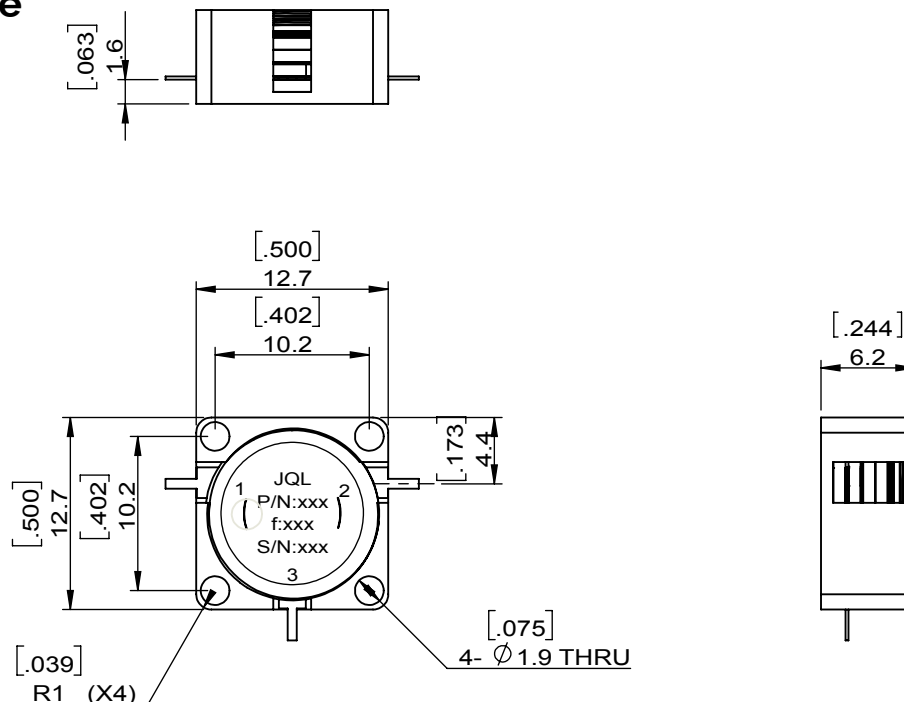


JCD6000T18K0VM2 is a drop-in circulator in the frequency 6.000~18.000 GHz. The device is extremely stable over the temperature range of -40°C to +85°C, with maximum insertion loss of 1.20dB and minimum return loss of 13.0dB. It can handle CW Power FWD/REV/PK(Watt) of 20/15/500 Pulse 100W 1% Duty Cycle PW=1mSec & DC=20%

Electrical Specification

Part Number	JCD6000T18K0VM2
Frequency (GHz)	6.000~18.000
Insertion Loss(dB)MAX	1.2
Isolation(dB)MIN	13.0
Return Loss(dB)MIN	13.0
Operating Temperature	-40°C to +85°C
Power FWD/REV/PK(Watt)	20/15/500 Pulse 100W 1% Duty Cycle PW=1mSec & DC=20%
Tab(W×LG×THK)(mm[Inch])	0.635[.026]x2.0[.079]x0.2[.008]

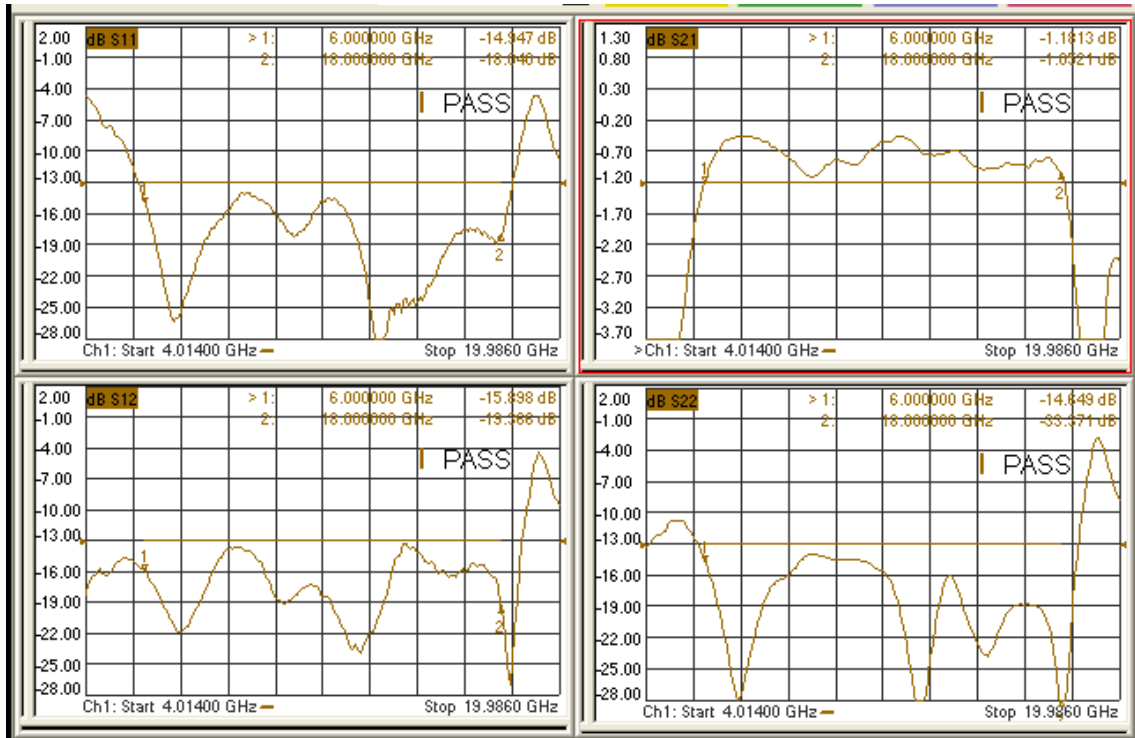
Outline



Drop-In Circulator, 6~18Ghz

JCD6000T18K0VM2

Test Data



Applications

- Radar

JQL TECHNOLOGIES
TECHNOLOGY ON THE MOVE