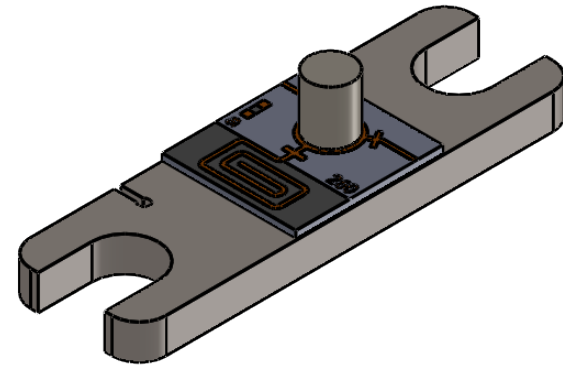
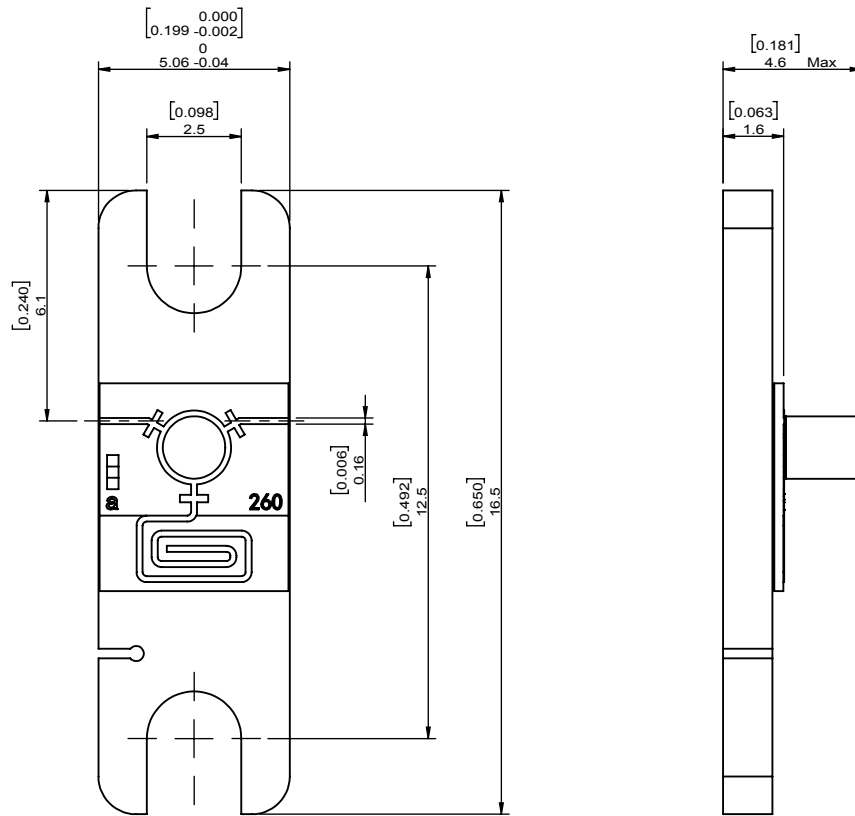


1		2		3		4		5		6	
Document No.		QR4-700-T-003		REV.		DESCRIPTION		REVISOR		DATE	
REV.		A/0		0				X.S		09.02.2022	
										APPROVED	
										HC.Qiu	



ITEM	SPEC
Frequency Rang(GHz)	25.500~27.000
Direction	CW
Insertion Loss(dB)	0.9 Max
Return Loss(dB)	16.6 Min
Isolation(dB)	18 Min
Power(W)	4
Operating Temperature(°C)	-30~+70
Additional Notes	-

Notes:

- 1. Plating: Gold. RoHS and REACH compliant.
- 2. Humidity 5 to 95% non-condensing.
- 4. Max temperature during welding process: +350°C @ 25 msec.



This document is the property of JQL Technologies Corporation. It cannot be copied, duplicated, used for manufacturing purposes or communicated to third party as a whole or partly, without the written consent of JQL Technologies Corporation.

**JQL** JQL Technologies Corporation

<b>MATERIAL:</b> -	<b>DWG NO:</b> 2IMC-26.0-1-26.25BW5.7W4FM			
	<b>SURFACE TREATMENT:</b> -	DWG BY:	X.S	09.02.2022
<b>DESCRIPTION:</b> MICROSTRIP ISOLATOR	CHK'D BY:			3:1
	APPV'D BY:			
	Unit: mm[inch]	Tolerance: Liner: ±0.09 Anguar: ±0.5°	The First:	