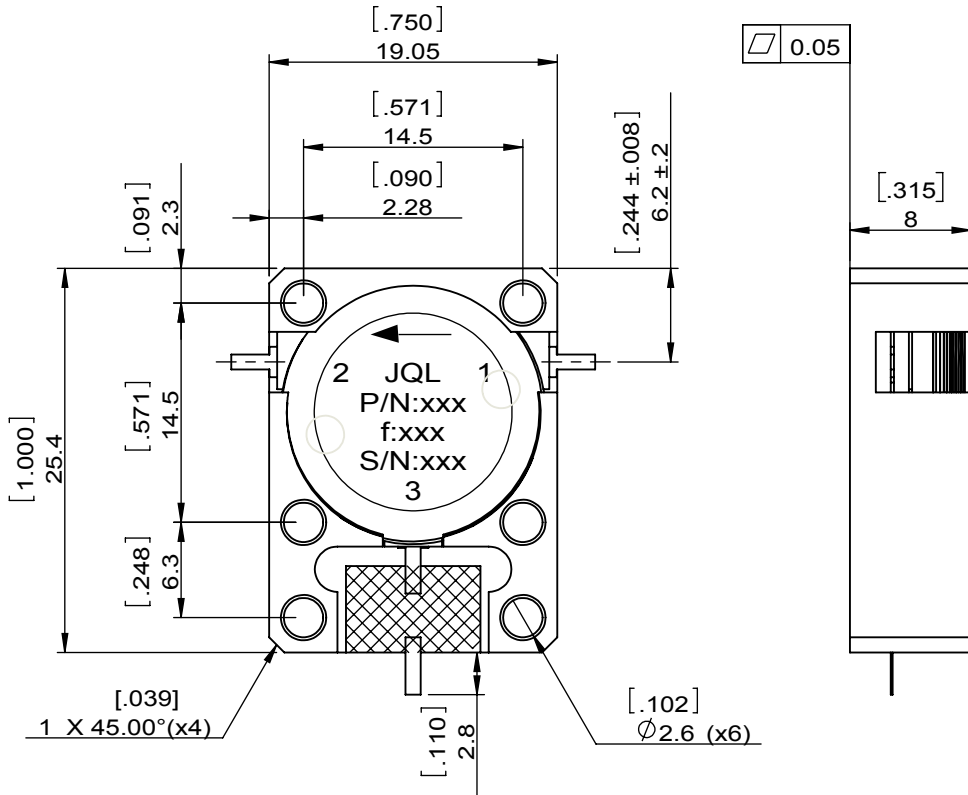
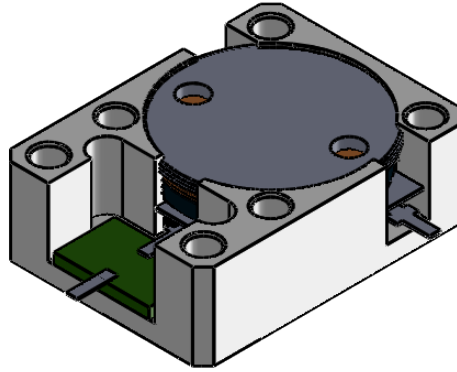
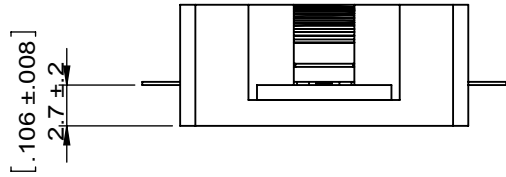


1	2
Document No.	QR4-700-T-003
REV.	A/0

4	5	6		
REV.	DESCRIPTION	REVISOR	DATE	APPROVED
0		J.Z	10.08.2022	HC.Qiu



SPECIFICATIONS	
Part's Number	E26000013000
Frequency(GHz)	2.110~2.170
Direction	CCW
Insertion Loss(dB)MAX	0.26
Isolation(dB)MIN	23.0
Return Loss(dB)MIN	23.0
3rd IMD(dBc)MAX	-73@1x40dBm , 5MHz sparation
Power FWD/REV/PK(Watt)	175/80/-
Operating Temperature(°C)	-40~+85
Storage Temperature(°C)	-
2nd/3rd Harmonic(dBc)	-
Termination/Attenuator(Watt/dB)	150/30
Tab(W×LG×THK)(mm[Inch])	0.64[0.025]x2.5[0.098]x0.2[0.008]
Additional Notes	

JQL JQL Technologies Corporation.				
MATERIAL: STEEL		DWG NO: E26000013000		
SURFACE TREATMENT: NICKEL PLATING		DWG BY:	J.Z	10.08.2022
DESCRIPTION: DROP-IN ISOLATOR		CHK'D BY:		SCALE
		APPV'D BY:		2:1
		Unit: mm[inch]	Tolerance: Liner: ±0.25 Anguar: ±0.5°	The First:
				A4



This document is the property of JQL Technologies Corporation. It cannot be copied, duplicated, used for manufacturing purposes or communicated to third party as a whole or partly, without the written consent of JQL Technologies Corporation.