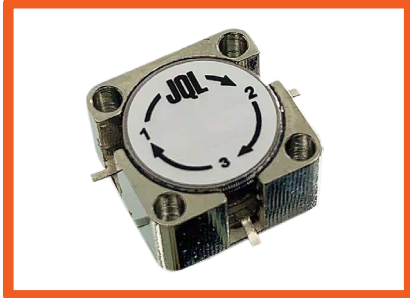


# UHF Band Drop-In Circulator

## JCD0700T1000RM10

### Description:

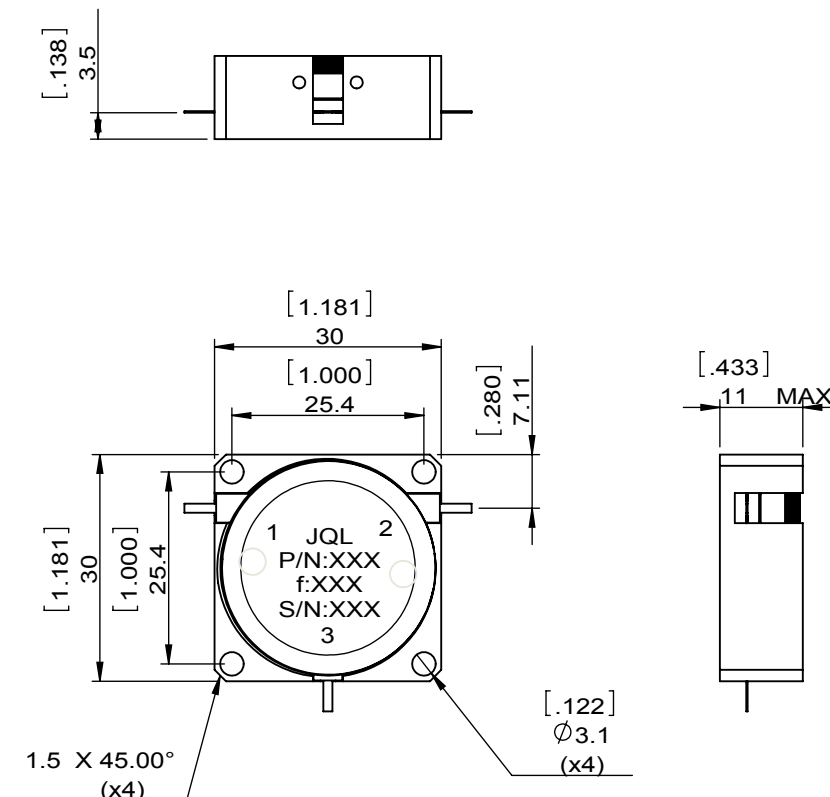


JCD0700T1000RM10 is a drop-in circulator in the frequency 0.700~1.000 GHz. The device is extremely stable over the temperature range of -20°C to +70°C, with maximum insertion loss of 0.55dB and minimum return loss of 16.0dB. It can handle CW Power FWD/REV/PK(Watt) of 100/100/-

### Electrical Specification

Part Number	JCD0700T1000RM10
Frequency (GHz)	0.700~1.000
Insertion Loss(dB)MAX	0.55
Isolation(dB)MIN	16.0
Return Loss(dB)MIN	16.0
Operating Temperature	-20°C~70°C
Power FWD/REV/PK(Watt)	100/100/-
Tab(W×LG×THK)(mm[Inch])	1.2[.047]×2.0[.079]×0.2[.008]

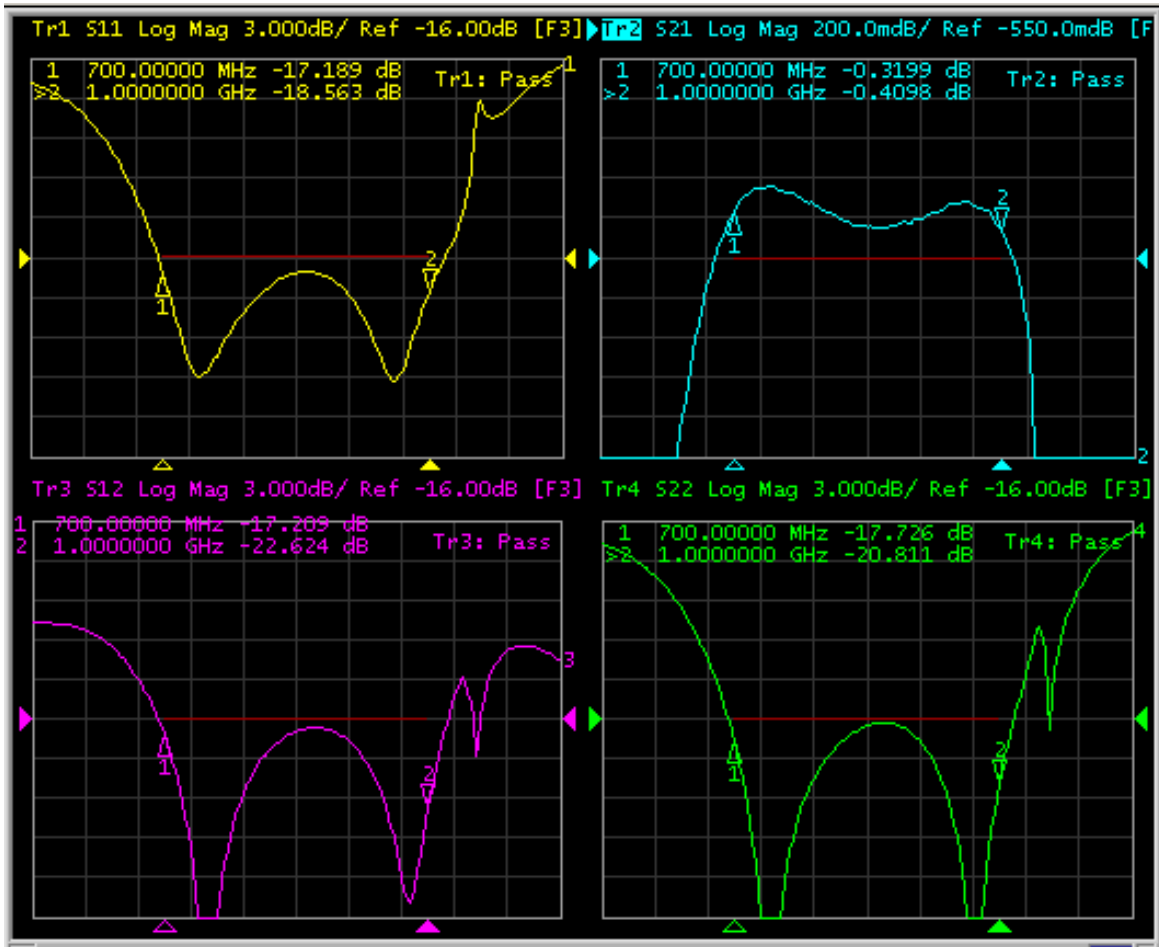
### Outline



# UHF Band Drop-In Circulator

## JCD0700T1000RM10

### Test Data



**JQL TECHNOLOGIES**  
TECHNOLOGY ON THE MOVE