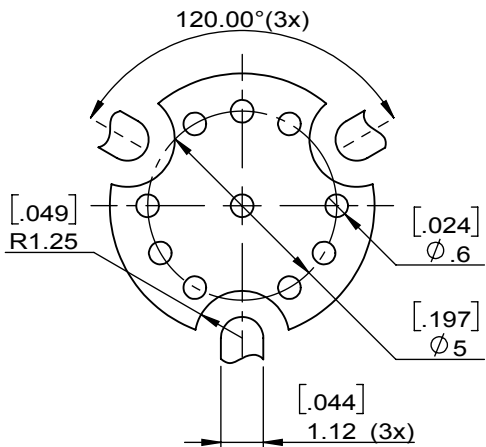
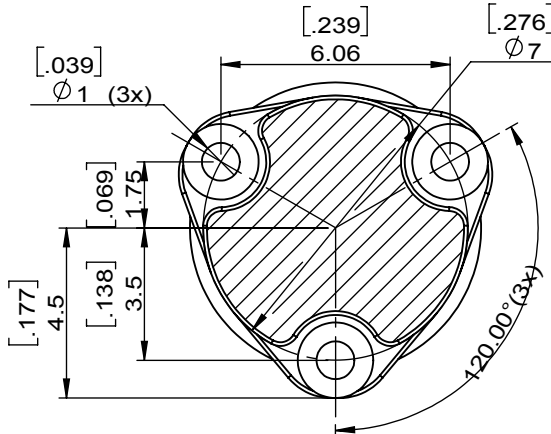
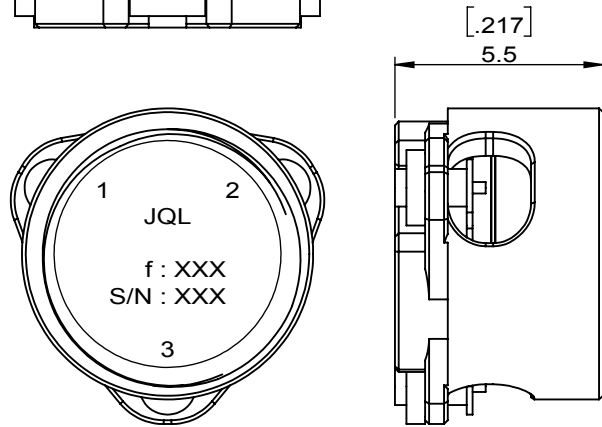
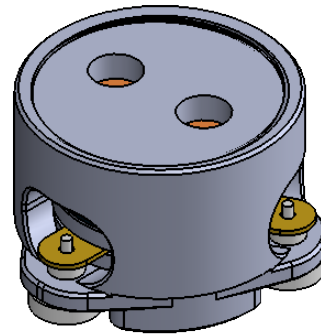
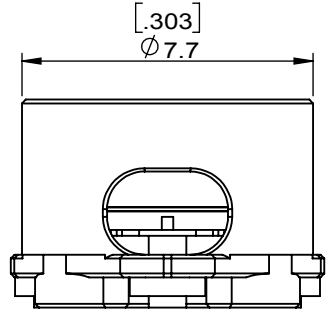
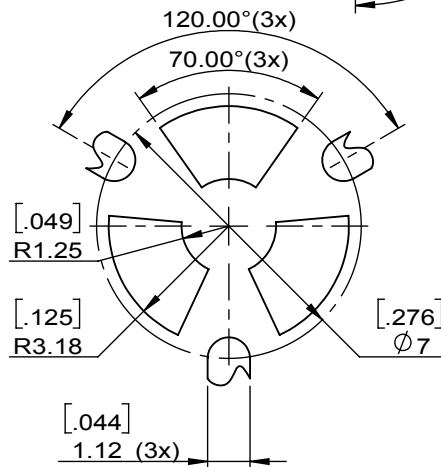


1	2
Document No.	QR4-700-T-003
REV.	A/0

4	5	6		
REV.	DESCRIPTION	REVISOR	DATE	APPROVED
0		J.Z	10.15.2022	HC.Qiu



Copper Pattern



Soldermask Pattern

SPECIFICATIONS	
Part's Number	JCM2025T2110LM1R
Frequency(GHz)	2.025~2.110
Direction	CW
Insertion Loss(dB)MAX	0.40 @ +25°C 0.45 @ -40~+85°C
Isolation(dB)MIN	20.0 @ +25°C 18.0 @ -40~+85°C
Return Loss(dB)MIN	20.0 @ +25°C 18.0 @ -40~+85°C
3rd IMD(dBc)MAX	-55 @ 2 x 37dBm
Power FWD/REV/PK(Watt)	10/10/-
Operating Temperature(°C)	-40~+85
Storage Temperature(°C)	-
2nd/3rd Harmonic(dBc)	-
Termination/Attenuator(Watt/dB)	-
Tab(W×LG×THK)(mm[Inch])	-
Additional Notes	-

JQL JQL Technologies Corporation				
MATERIAL: STEEL		DWG NO: JCM2025T2110LM1R		
SURFACE TREATMENT: SILVER PLATING		DWG BY:	J.Z	10.15.2022
DESCRIPTION: SMT CIRCULATOR		CHK'D BY:		SCALE
		APPV'D BY:		5:1
		Unit:	Tolerance:	The First:
		mm[inch]	Liner: ±0.25	
			Anguar: ±0.5°	A4



This document is the property of JQL Technologies Corporation. It cannot be copied, duplicated, used for manufacturing purposes or communicated to third party as a whole or partly, without the written consent of JQL Technologies Corporation.