

S Band Surface Mount Circulator

JCM2900T3300S5

Description:

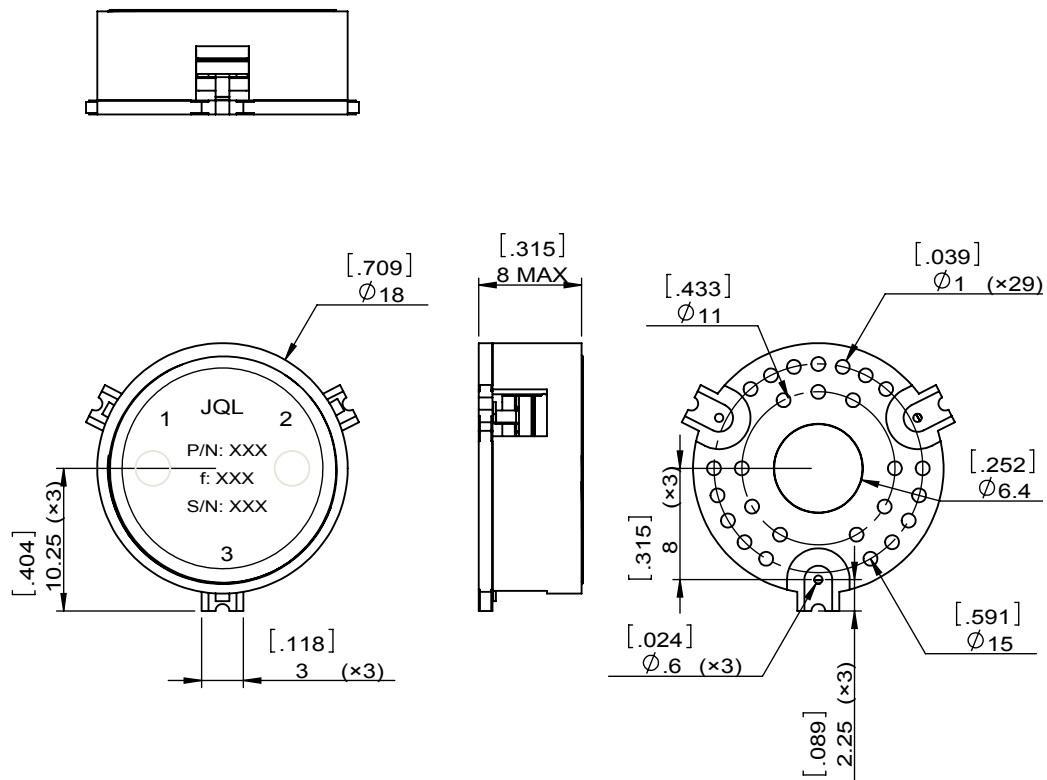


JCM2900T3300S5 is a single junction surface mount robust design with fixed pins on the 3 ports for precise contact with the PCB while mounting. This model is designed for automated surface mount placement in high volume production.

Electrical Specification

Part Number	JCM2900T3300S5
Frequency (GHz)	2.900~3.300
Insertion Loss(dB)MAX	0.35
Isolation(dB)MIN	18.0
Return Loss(dB)MIN	18.0
Operating Temperature	-40°C~85°C
Power FWD/REV/PK(Watt)	50/50/500

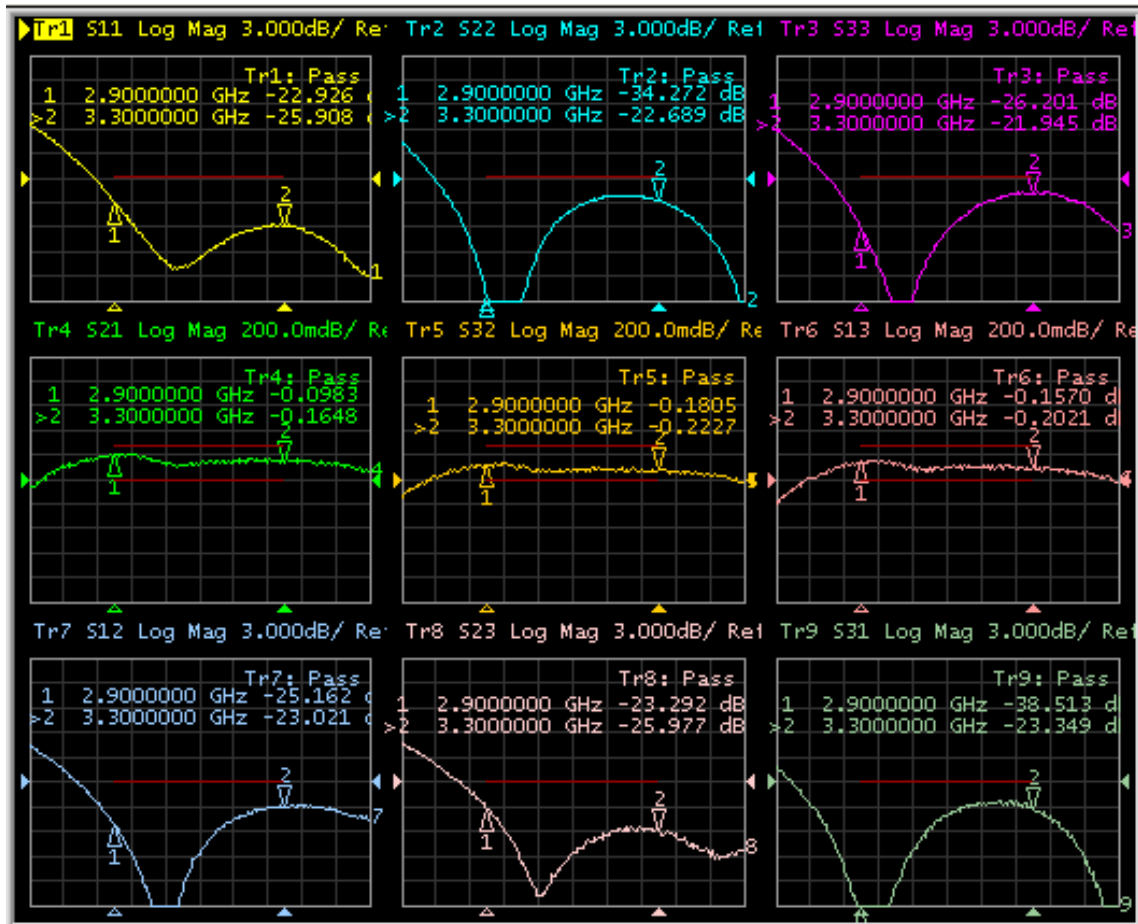
Outline



S Band Surface Mount Circulator

JCM2900T3300S5

Test Data



Features

- Low insertion loss over the temperature range
- Very low IMD, tested 100%
- RoHS & REACH Compliant
- Packaged in Tape & Reel

Applications

- 5G
- Wireless Infrastructure
- Power Amplifiers