

S Band Surface Mount Circulator

JCM3300T3800PK15C

Description:

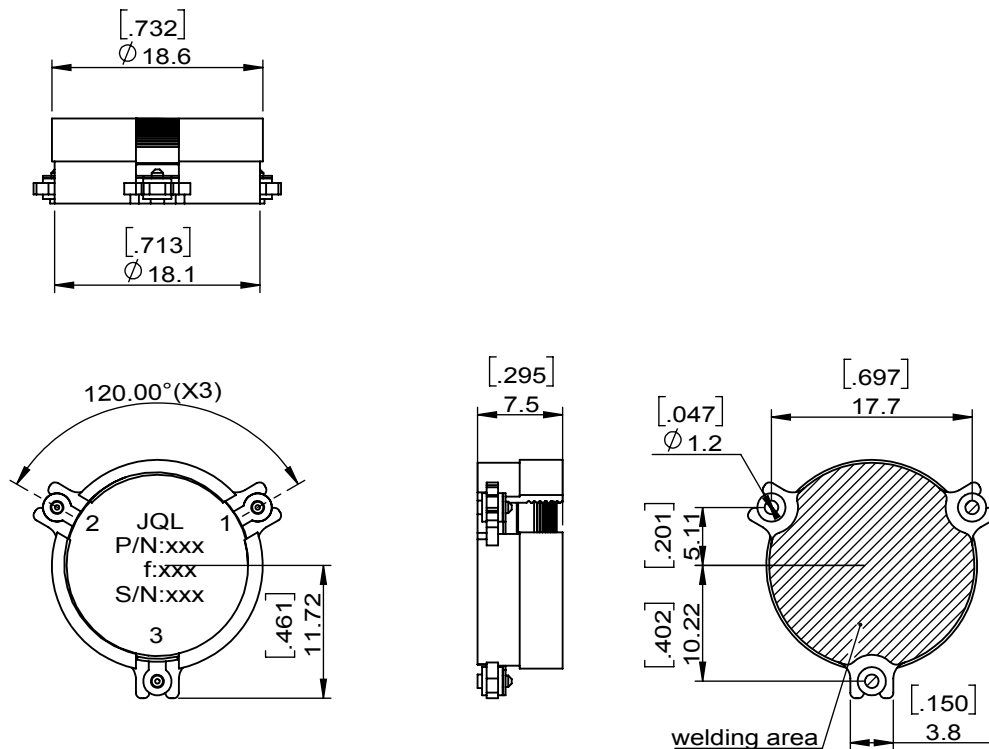


JCM3300T3800PK15C is a surface mount circulator in the frequency 3.300~3.800 GHz. The device is extremely stable over the temperature range of -40°C to +80°C, with maximum insertion loss of 0.22dB@+25°C & 0.27dB@-40~+80°C and minimum return loss of 20.0dB. It can handle a CW Power FWD/REV/PK(Watt) of 150/150/-

Electrical Specification

Part Number	JCM3300T3800PK15C
Frequency (GHz)	3.300~3.800
Insertion Loss(dB)MAX	0.22@+25°C 0.27@-40~+80°C
Isolation(dB)MIN	20.0
Return Loss(dB)MIN	20.0
Operating Temperature	-40°C~80°C
Power FWD/REV/PK(Watt)	150/150/-

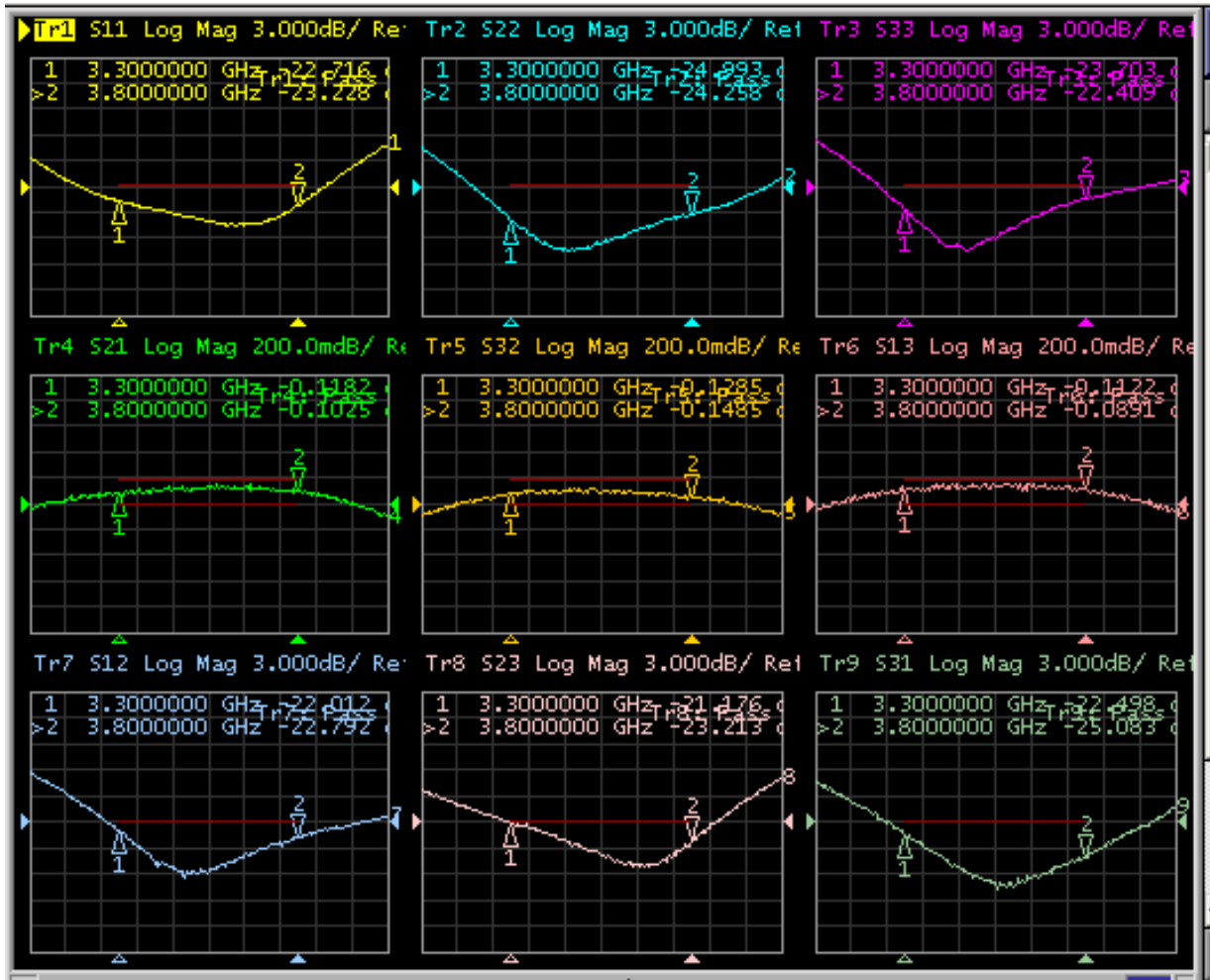
Outline



S Band Surface Mount Circulator

JCM3300T3800PK15C

Test Data



JQL TECHNOLOGIES
TECHNOLOGY ON THE MOVE