

# S Band Surface Mount Circulator

## JCM3400T3600LM1R

### Description:

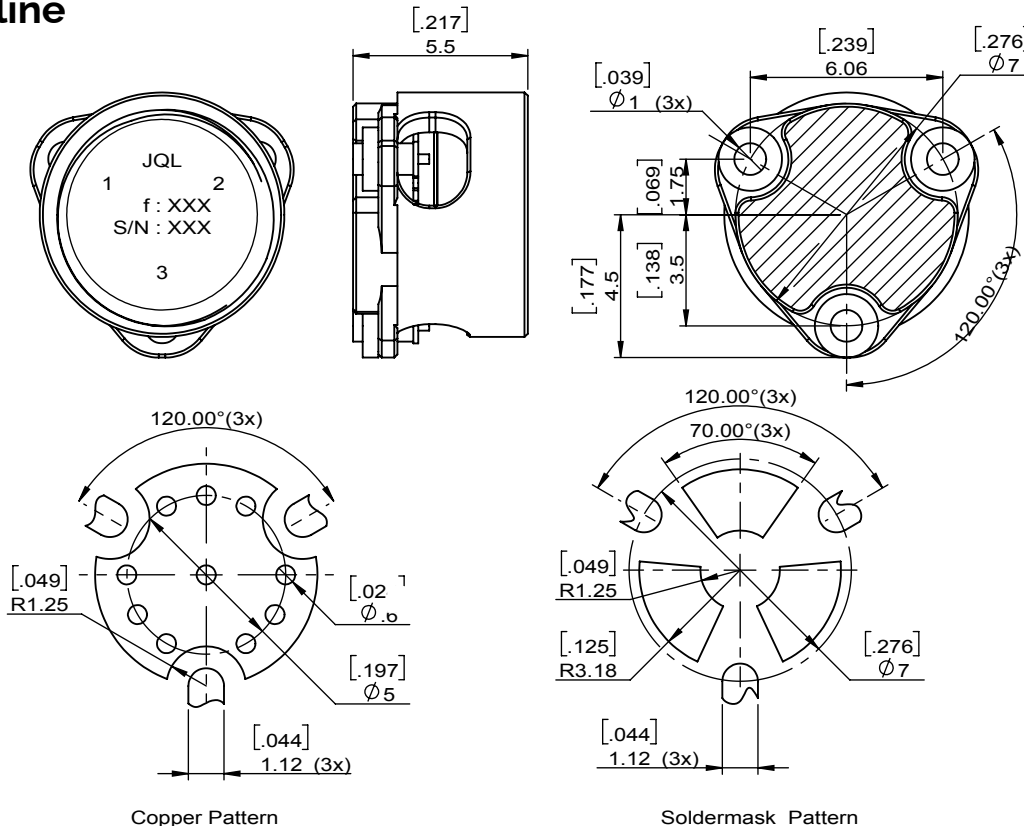


JCM3400T3600LM1R is a surface mount circulator in the frequency 3.400~3.600 GHz. The device is extremely stable over the temperature range of -40°C to +85°C, with maximum insertion loss of 0.3dB and minimum return loss of 20.0dB. It can handle a CW Power FWD/REV/PK(Watt) of 5/5/-

### Electrical Specification

Part Number	JCM3400T3600LM1R
Frequency (GHz)	3.400~3.600
Insertion Loss(dB)MAX	0.3
Isolation(dB)MIN	20.0
Return Loss(dB)MIN	20.0
Operating Temperature	-40°C~85°C
Power FWD/REV/PK(Watt)	5/5/-

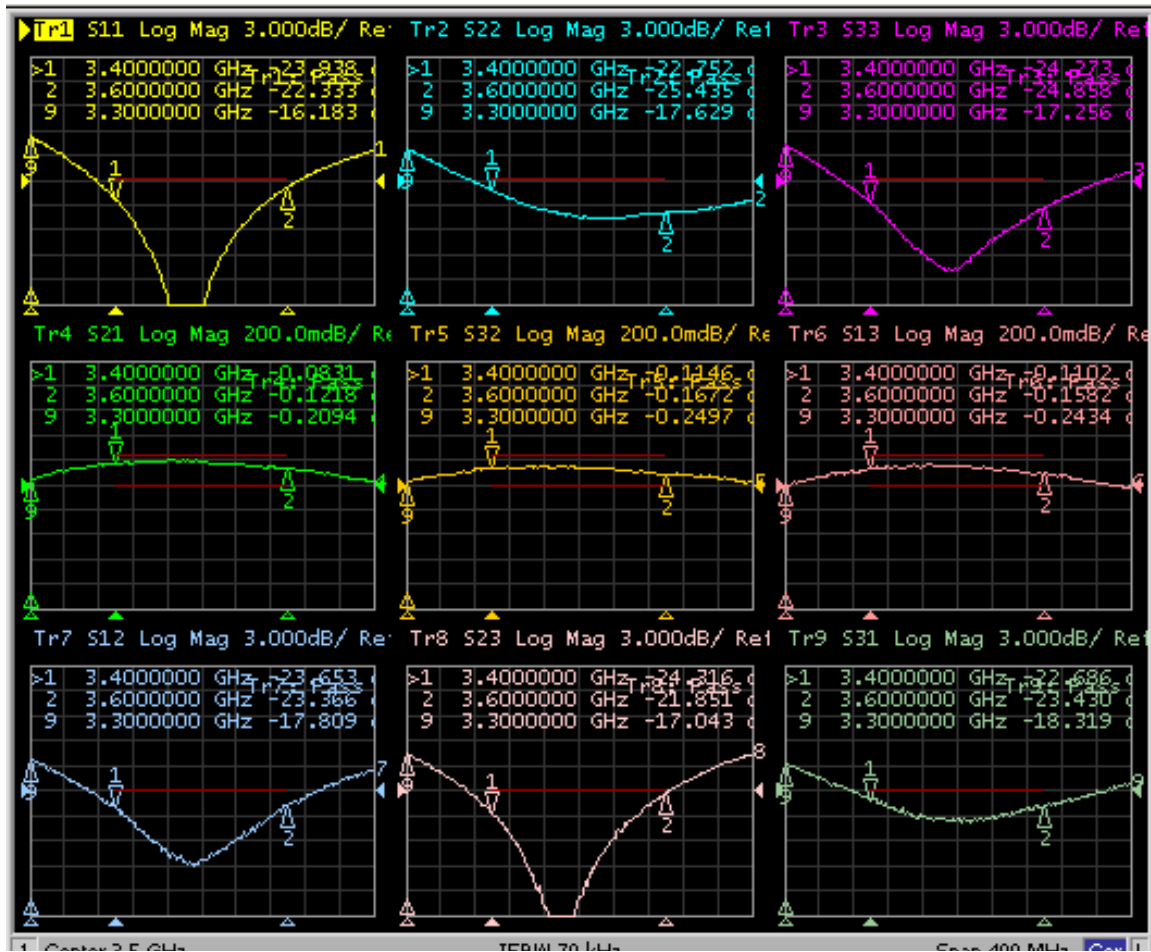
### Outline



# S Band Surface Mount Circulator

## JCM3400T3600LM1R

### Test Data



### Features

- Low insertion loss over the temperature range
- Very low IMD, tested 100%
- RoHS & REACH Compliant
- Packaged in Tape & Reel

### Applications

- 5G
- Wireless Infrastructure
- Power Amplifiers