

S Band Surface Mount Circulator

JCM3400T3600LM2R

Description:

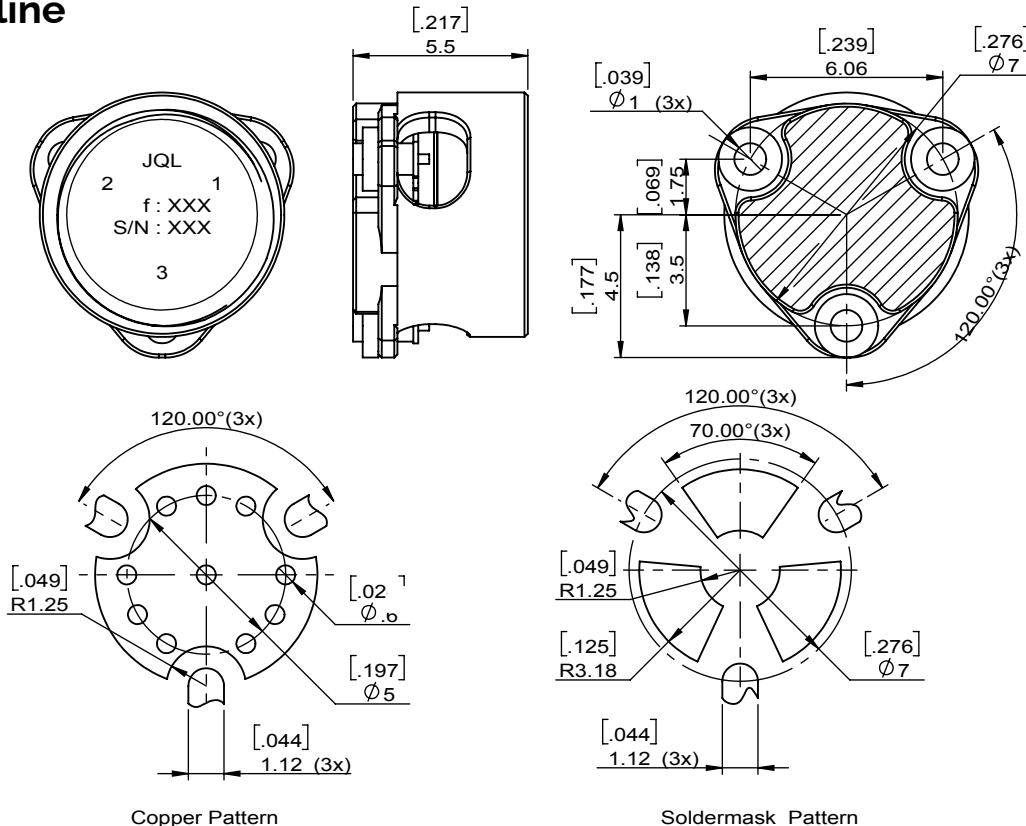


JCM3400T3600LM2R is a surface mount circulator in the frequency 3.400~3.600 GHz. The device is extremely stable over the temperature range of -40°C to +85°C, with maximum insertion loss of 0.35dB and minimum return loss of 20.0dB. It can handle a CW Power FWD/REV/PK(Watt) of 20/20/50

Electrical Specification

Part Number	JCM3400T3600LM2R
Frequency (GHz)	3.400~3.600
Insertion Loss(dB)MAX	0.35
Isolation(dB)MIN	20.0
Return Loss(dB)MIN	20.0
Operating Temperature	-40°C~85°C
Power FWD/REV/PK(Watt)	20/20/50

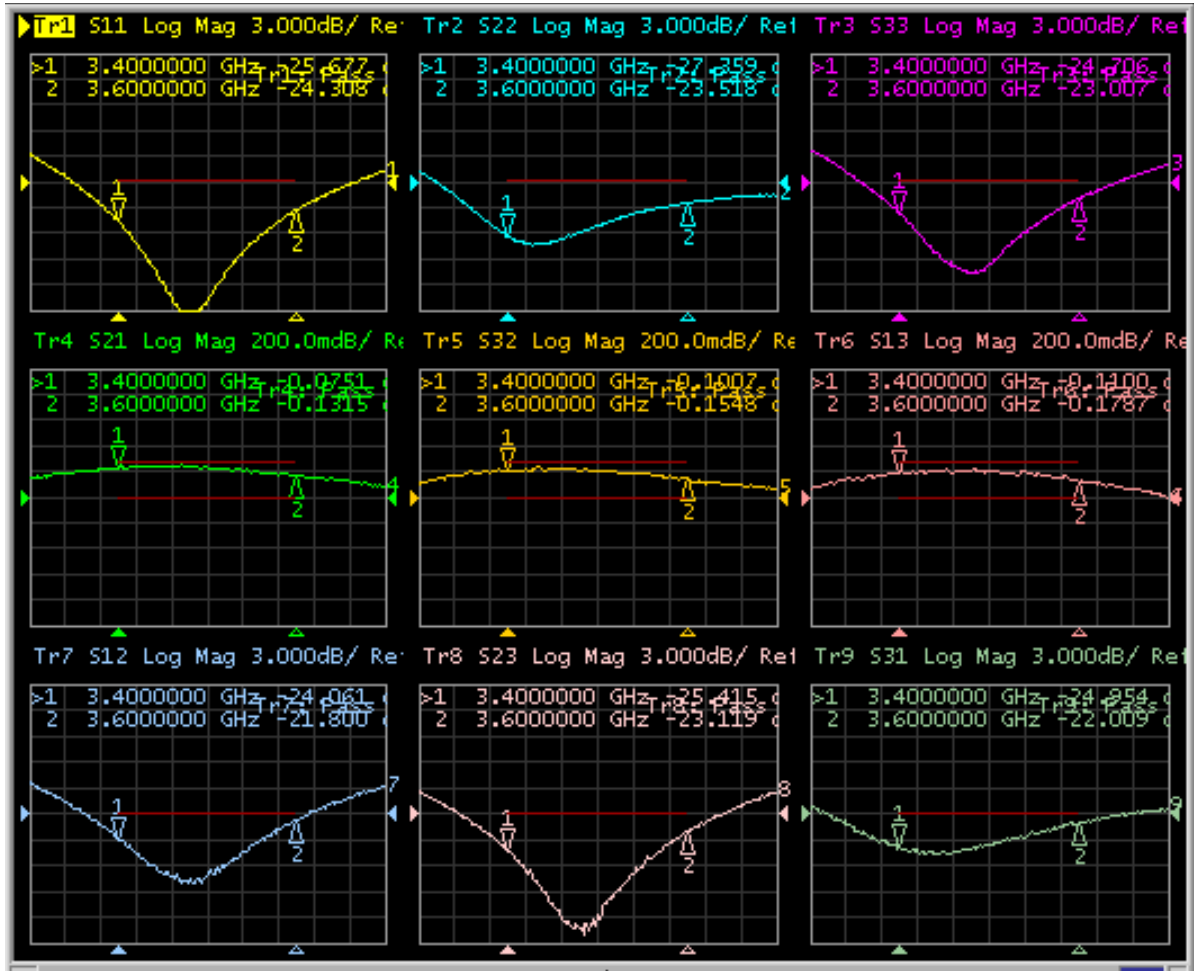
Outline



S Band Surface Mount Circulator

JCM3400T3600LM2R

Test Data



JQL TECHNOLOGIES
TECHNOLOGY ON THE MOVE