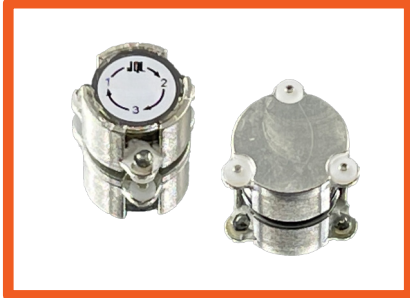


# C Band Surface Mount Circulator

## JCM5300T5900VM2R

### Description:

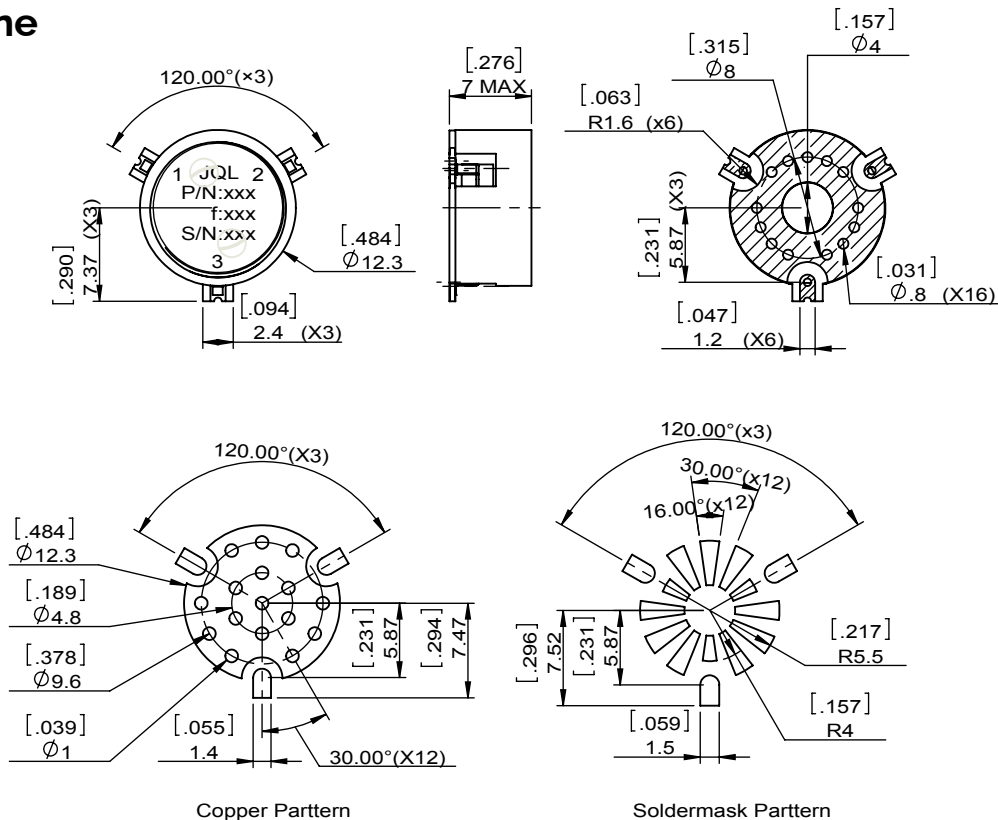


JCM5300T5900VM2R is a surface mount circulator in the frequency 5.300~5.900 GHz. The device is extremely stable over the temperature range of -40°C to +85°C, with maximum insertion loss of 0.5dB and minimum return loss of 18.0dB. It can handle CW Power FWD/REV/PK(Watt) of 5/5/-

### Electrical Specification

Part Number	JCM5300T5900VM2R
Frequency (GHz)	5.300~5.900
Insertion Loss(dB)MAX	0.5
Return Loss(dB)MIN	18.0
Isolation(dB)MIN	18.0
Operating Temperature	-40°C~85°C
Power FWD/REV/PK(Watt)	5/5/-

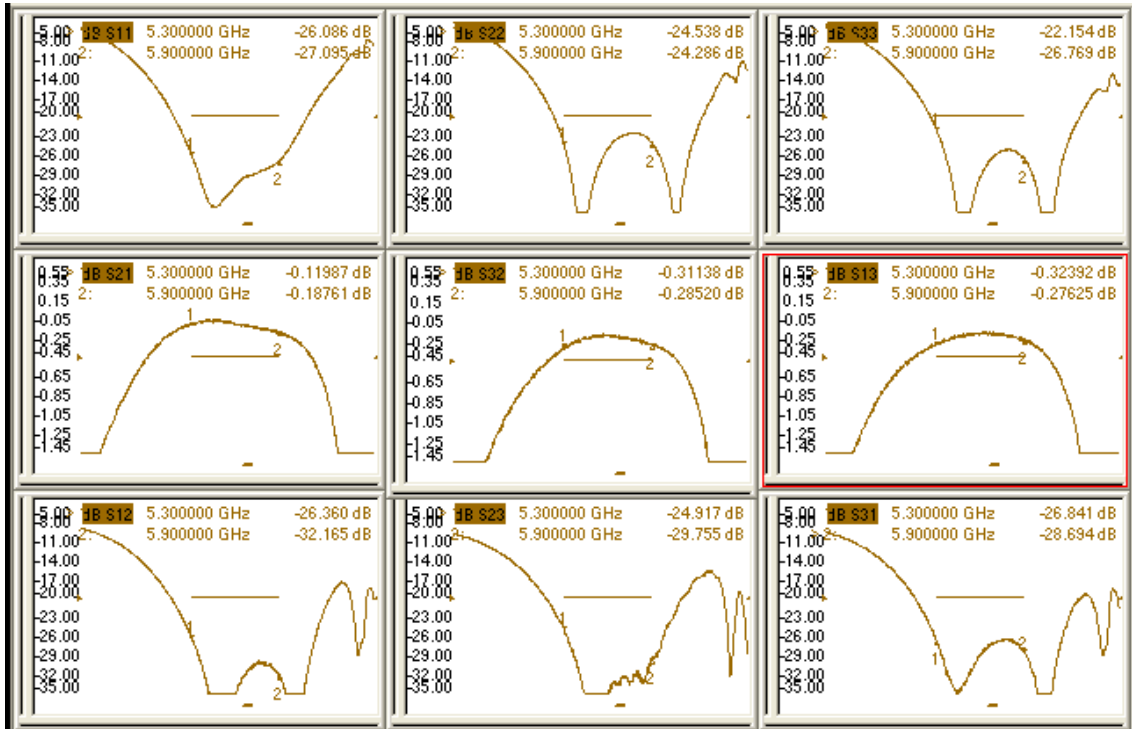
### Outline



# C Band Surface Mount Circulator

## JCM5300T5900VM2R

### Test Data



JQL TECHNOLOGIES  
TECHNOLOGY ON THE MOVE