

X Band Surface Mount Circulator

JCM9300T9500XM5

Description:

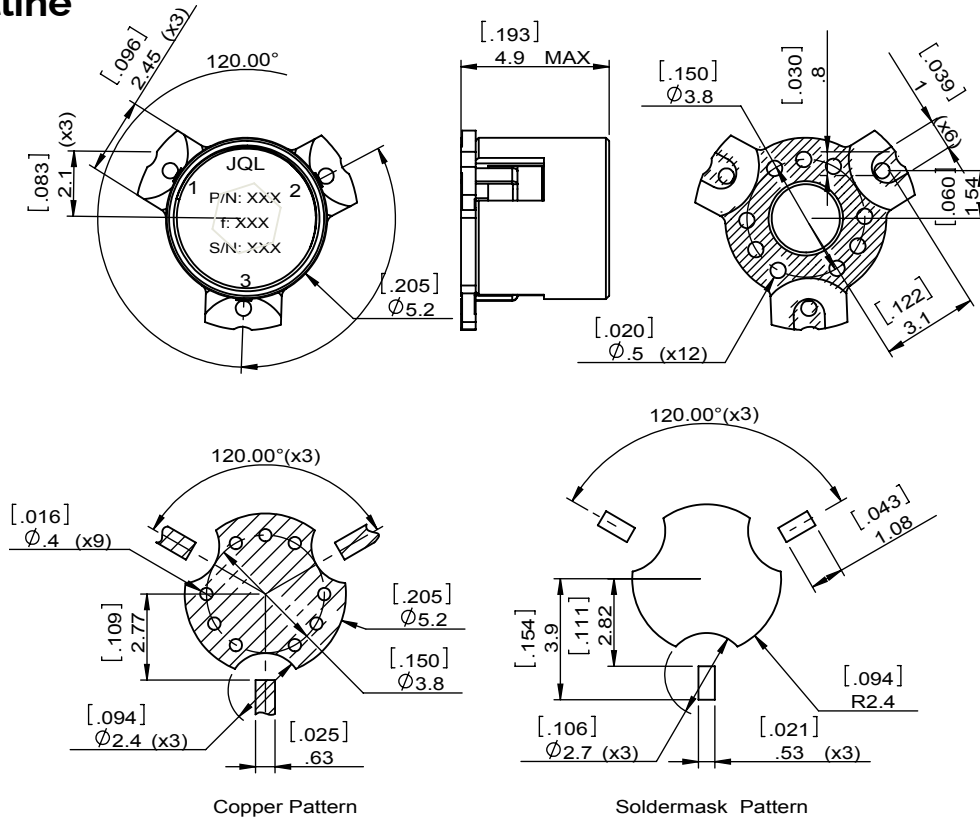


JCM9300T9500XM5 is a surface mount circulator in the frequency 9.300~9.500 GHz. The device is extremely stable over the temperature range of -40°C to +85°C, with maximum insertion loss of 0.4dB and minimum return loss of 19.0dB. This circulator can handle a CW Power FWD/REV/PK(Watt) of 5/5/50 10% Duty Cycle

Electrical Specification

Part Number	JCM9300T9500XM5
Frequency (MHz)	9.300~9.500
Insertion Loss(dB)MAX	0.4
Isolation(dB)MIN	20.0
Return Loss(dB)MIN	19.0
Operating Temperature	-40°C~+85°C
Power FWD/REV/PK(Watt)	5/5/50 (10% Duty Cycle)

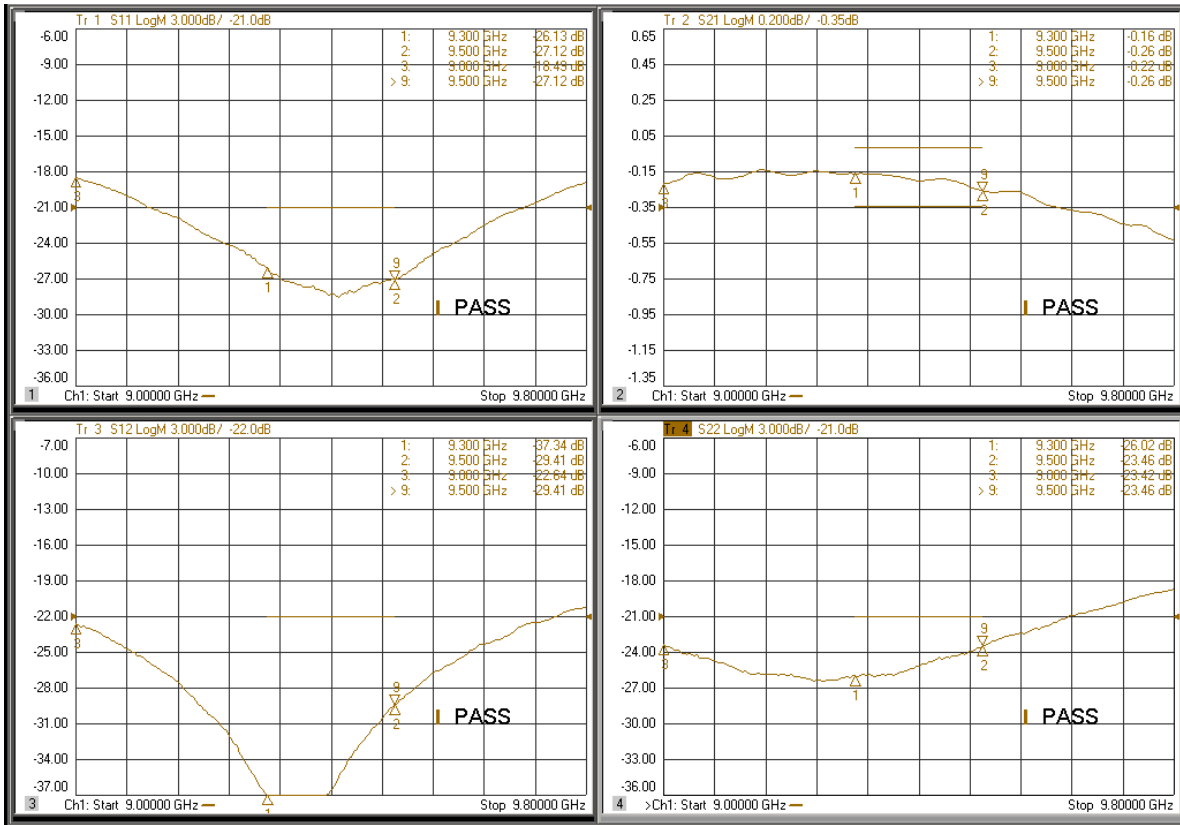
Outline



X Band Surface Mount Circulator

JCM9300T9500XM5

Test Data



Applications

- Radar