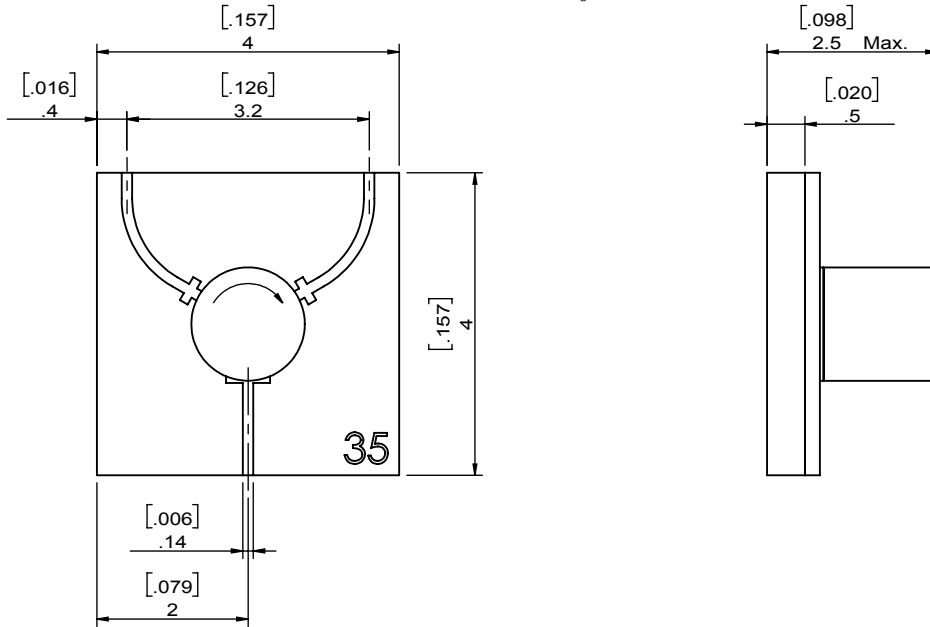
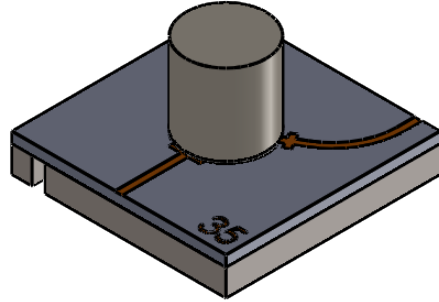


1		2		3		4		5		6			
Document No.	QR4-700-T-003	REV.	A/0	REV.	0	DESCRIPTION		REVISOR	X.S	DATE	07.28.2022	APPROVED	HC.Qiu



ITEM	SPEC
Frequency Rang(GHz)	34.000~36.000
Direction	CW
Insertion Loss(dB)	0.90 Max
Return Loss(dB)	16.5 Min
Isolation(dB)	18.0 Min
Power FWD/REV/PK(W)	5/5/- Max
Operating Temperature(°C)	-40~+85
Storage Temperature(°C)	-55~+125
Impedance(Ω)	50
Additional Notes	-

NOTES :

1. Tuning conductor(97In3Ag) optional location and configuration determined by vendor.
2. Humidity 5 to 95% non-condensing.
3. Max. temperature during welding process : 350°C @25 msec.



This document is the property of JQL Technologies Corporation. It cannot be copied, duplicated, used for manufacturing purposes or communicated to third party as a whole or partly, without the written consent of JQL Technologies Corporation.

JQL JQL Technologies Corporation				
MATERIAL: -		DWG NO: JCS34K0T36K0A0		
SURFACE TREATMENT: -		DWG BY:	X.S	07.28.2022
DESCRIPTION: Microstrip Circulator		CHK'D BY:		
		APPV'D BY:		
Unit: mm[inch]	Tolerance: Liner: ±0.25 Anguar: ±0.5°	The First:		10:1
				A4