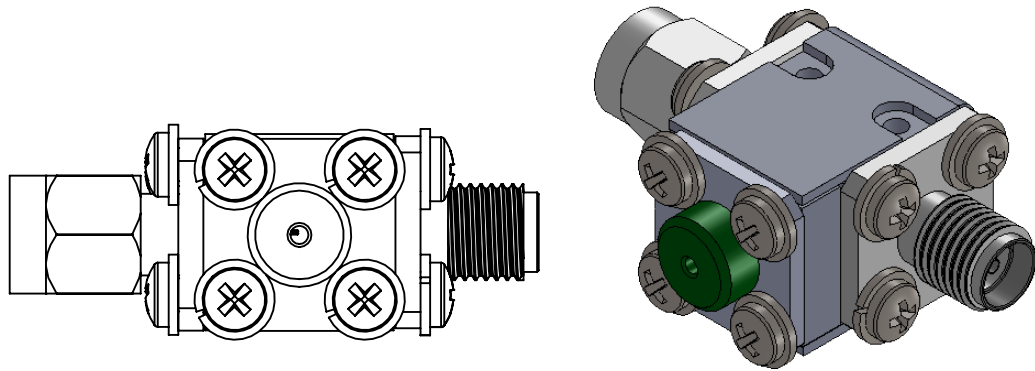
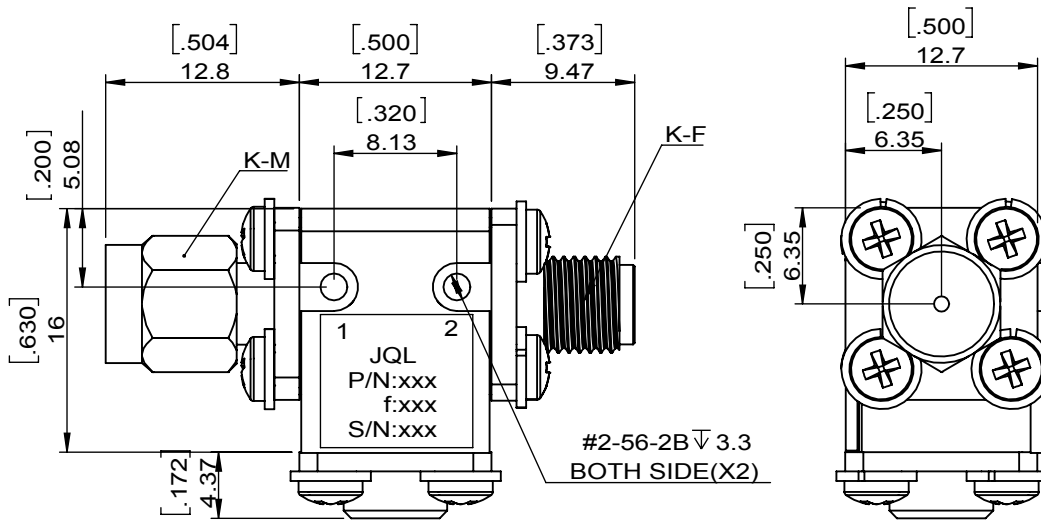


1		2		3		4		5		6	
Document No.	QR4-700-T-003	REV.	A/0	REV.	DESCRIPTION	REVISOR	DATE	APPROVED			
				0		J.Z	09.07.2022	HC.Qiu			



SPECIFICATIONS	
Part's Number	JIC40K2T41K4K0
Frequency(GHz)	40.200~41.400
Direction	CW
Insertion Loss(dB)MAX	1.0
Isolation(dB)MIN	18.0
Return Loss(dB)MIN	18.0
EMI SHIELDING(dBc)	-
Power FWD/REV/PK(Watt)	5/1/10
Operating Temperature(°C)	-40~+85
Storage Temperature(°C)	-
2nd/3rd Harmonic(dBc)	-
Termination/Attenuator(Watt/dB)	-
Tab(W×LG×THK)(mm[Inch])	-
Additional Notes	-



This document is the property of JQL Technologies Corporation. It cannot be copied, duplicated, used for manufacturing purposes or communicated to third party as a whole or partly, without the written consent of JQL Technologies Corporation.

<b>JQL JQL Technologies Corporation.</b>				
<b>MATERIAL:</b> STEEL		<b>DWG NO:</b> JIC40K2T41K4K0		
<b>SURFACE TREATMENT:</b> NICKEL PLATING		DWG BY:	J.Z	09.07.2022
<b>DESCRIPTION:</b> COAXIAL ISOLATOR		CHK'D BY:		SCALE
		APP'V'D BY:		2:1
		Unit: mm[inch]	Tolerance: Liner: ±0.25 Anguar: ±0.5°	The First: 
				A4