

L Band Drop in Isolator

JID1025T1150M10

Description:

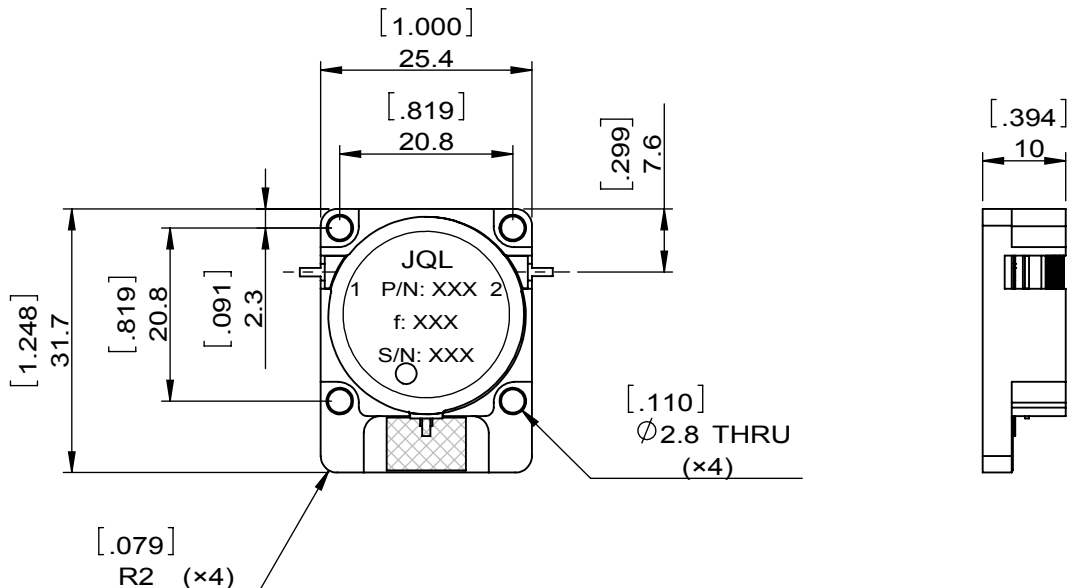


JID1025T1150M10 is a high power L Band drop in isolator that can handle 500 W pulse power and 100W CW power. This low loss device is designed for radar applications.

Electrical Specification

Part Number	JID1025T1150M10
Frequency (GHz)	1.025~1.150
Insertion Loss(dB)MAX	0.3
Isolation(dB)MIN	22.0
Return Loss(dB)MIN	21.0
Operating Temperature	-40°C~+85°C
Power FWD/REV/PK(Watt)	100/100/500

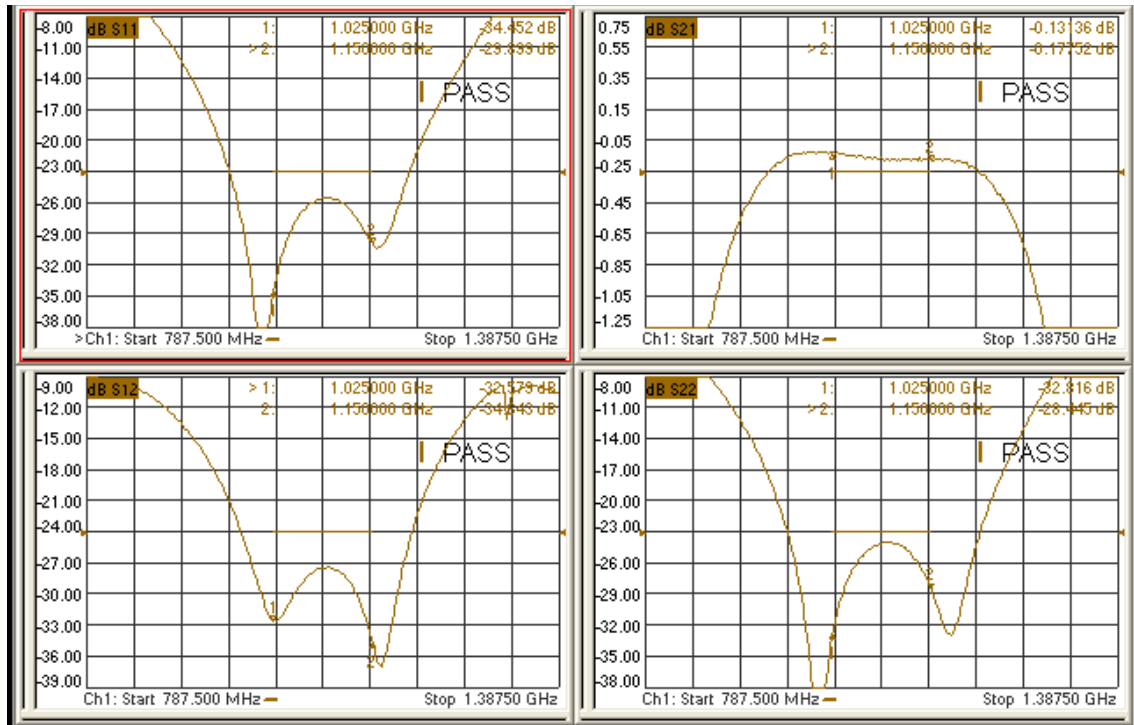
Outline



L Band Drop in Isolator

JID1025T1150M10

Test Data



Features

- Standard footprint
- High power handling capability
- Low insertion loss
- RoHS & REACH Compliant

Applications

- Pulsed radar applications
- Power amplifiers