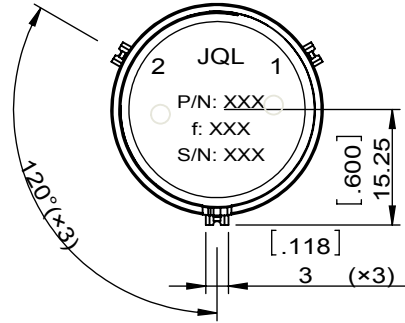
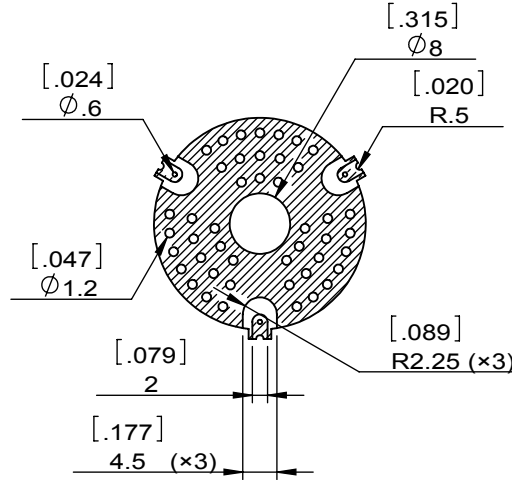
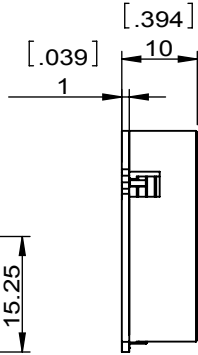
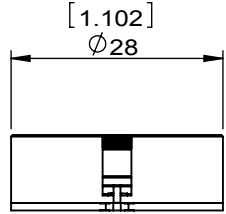
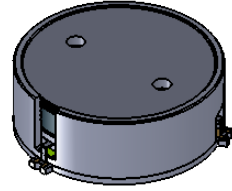
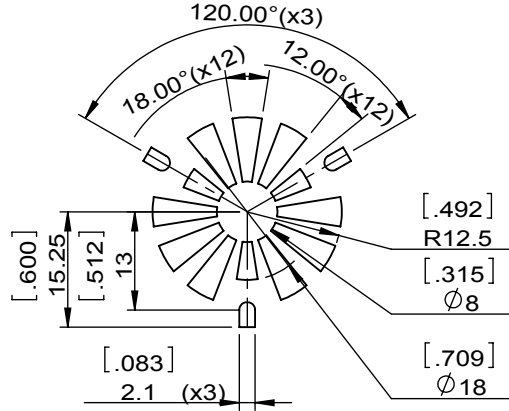
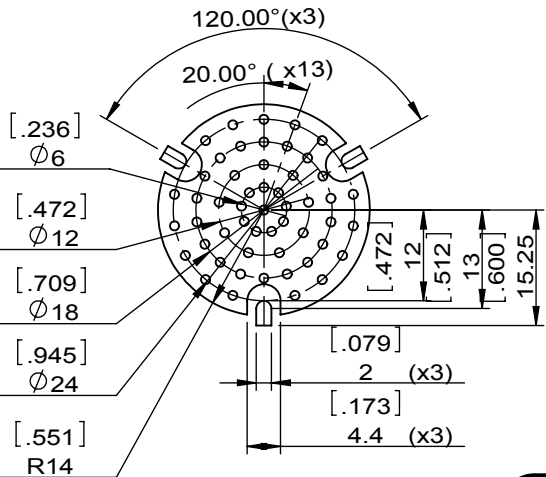


1		2		3		4		5		6	
Document No.	QR4-700-T-003	REV.	A/0	REV.	DESCRIPTION	REVISOR	DATE	APPROVED			
		0		J.Z	09.26.2022	HC.Qiu					



SPECIFICATIONS	
Part's Number	JIM0450T0512A1C
Frequency(MHz)	0.450~0.512
Direction	CCW
Insertion Loss(dB)MAX	0.6
Isolation(dB)MIN	18.0
Return Loss(dB)MIN	18.0
3rd IMD(dBc)MAX	-
Power FWD/REV/PK(Watt)	5/5/10
Operating Temperature(°C)	-20~+75
Storage Temperature(°C)	-
2nd/3rd Harmonic(dBc)	-
Termination/Attenuator(Watt/dB)	10/-
Tab(W×LG×THK)(mm[Inch])	-
Additional Notes	-



Copper Pattern

Soldermask Pattern



This document is the property of JQL Technologies Corporation. It cannot be copied, duplicated, used for manufacturing purposes or communicated to third party as a whole or partly, without the written consent of JQL Technologies Corporation.

JQL JQL Technologies Corporation				
MATERIAL: STEEL		DWG NO: JIM0450T0512A1C		
SURFACE TREATMENT: NICKEL PLATING		DWG BY:	J.Z	09.26.2022
DESCRIPTION: SMT ISOLATOR		CHK'D BY:		SCALE
		APPV'D BY:		1:1
Unit: mm[inch]		Tolerance: Liner: ±0.25 Anguar: ±0.5°	The First:	A4