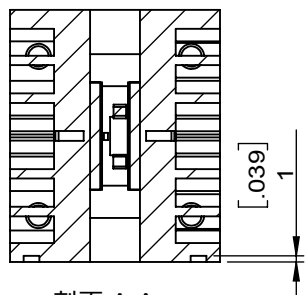
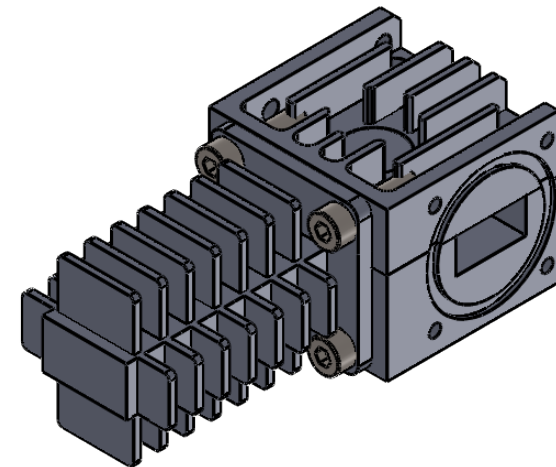
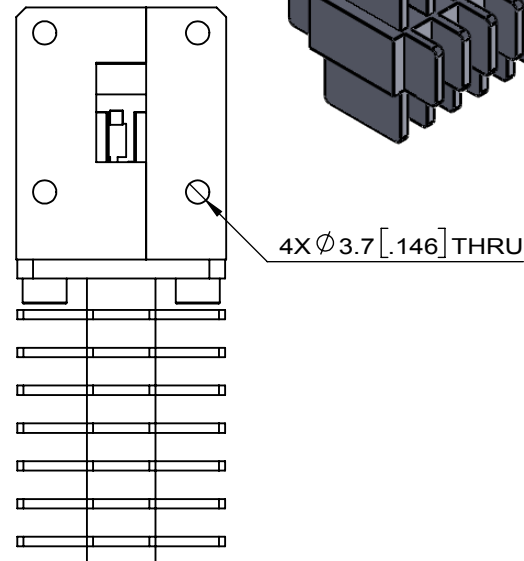
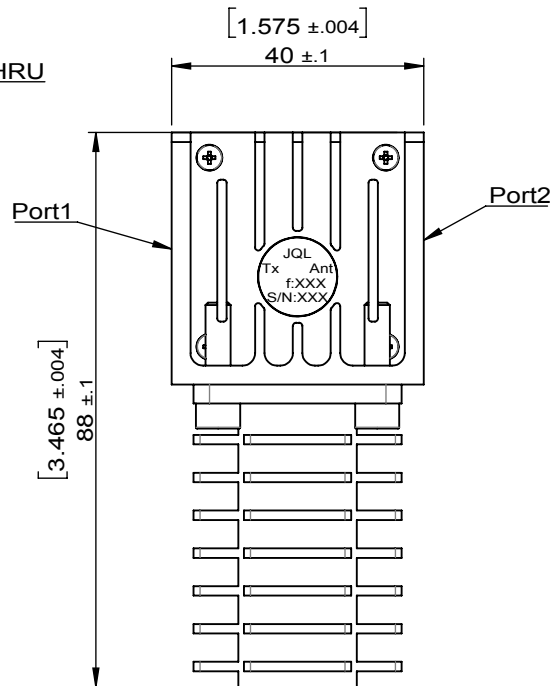
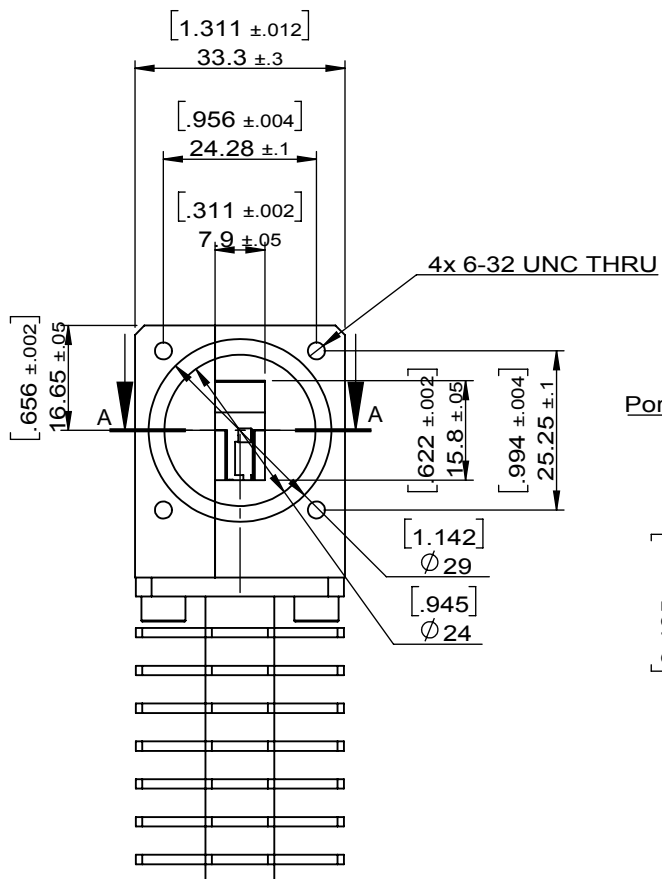


1		2		3		4		5		6	
Document No.	QR4-700-T-003	REV.	A/0	REV.	DESCRIPTION	REVISOR	DATE	APPROVED			
				0		J.Z	09.13.2022	HC.Qiu			



剖面 A-A  
比例 1 : 1.2




This document is the property of JQL Technologies Corporation. It cannot be copied, duplicated, used for manufacturing purposes or communicated to third party as a whole or partly, without the written consent of JQL Technologies Corporation.

<b>JQL JQL Technologies Corporation</b>				
<b>MATERIAL:</b> AL		<b>DWG NO:</b> JIWR62-40B-14K8T15K5		
<b>SURFACE TREATMENT:</b> CHEM FILM		DWG BY:	J.Z	09.13.2022
<b>DESCRIPTION:</b> WAVE GUIDE ISOLATOR		CHK'D BY:		SCALE
		APPV'D BY:		1:1
		Unit: mm[inch]	Tolerance: Liner: ±0.25 Anguar: ±0.5°	The First: 
				A4

1		2		3		4		5		6	
Document No.	QR4-700-T-003					REV.	DESCRIPTION	REVISOR	DATE	APPROVED	
REV.	A/0					0		J.Z	09.13.2022	HC.Qiu	

SPECIFICATIONS	
Part's Number	JIWR62-40B-14K8T15K5
Frequency(GHz)	14.800~15.500
Direction	-
Insertion Loss(dB)MAX	0.35
Isolation(dB)MIN	19.0
Return Loss(dB)MIN	19.0
3rd IMD(dBc)MAX	-
Power FWD/REV/PK(Watt)	-/-/1350(TBD)
Operating Temperature(°C)	-20~+55
Storage Temperature(°C)	-30~+80
2nd/3rd Harmonic(dBc)	-
Termination/Attenuator(Watt/dB)	-
Tab(W×LG×THK)(mm[Inch])	-
Additional Notes	-

<b>JQL</b> JQL Technologies Corporation				
<b>MATERIAL:</b> AL		<b>DWG NO:</b> JIWR62-40B-14K8T15K5		
<b>SURFACE TREATMENT:</b> CHEM FILM		DWG BY:	J.Z	09.13.2022
<b>DESCRIPTION:</b> WAVE GUIDE ISOLATOR		CHK'D BY:		SCALE
		APPV'D BY:		1:1
		Unit: mm[inch]	Tolerance: Liner: ±0.25 Anguar: ±0.5°	The First: 
				A4



This document is the property of JQL Technologies Corporation. It cannot be copied, duplicated, used for manufacturing purposes or communicated to third party as a whole or partly, without the written consent of JQL Technologies Corporation.